



OPERATING INSTRUCTIONS AND OWNER'S MANUAL

Model #
HS50K, HS75KT,
HS125KT, HS175KT,
HS210KT

READ INSTRUCTIONS CAREFULLY: Read and follow all instructions. Place instructions in a safe place for future reference. Do not allow anyone who has not read these instructions to assemble, light, adjust or operate the heater.



KEROSENE FORCED-AIR HEATER

⚠ WARNING: If the information in this manual is not followed exactly, a fire or explosion may result causing property damage, personal injury or loss of life.

- Do not store or use gasoline or other flammable vapors and liquids in the vicinity of this or any other appliance.
- Service must be performed by a qualified service agency.

This is an unvented portable heater. It uses air (oxygen) from the area in which it is used. Adequate combustion and ventilation air must be provided. Refer to page 3.



UL733, CSA B140.8, CSA B140.9.3

WARNING:

⚠ YOUR SAFETY IS IMPORTANT TO YOU AND TO OTHERS, SO PLEASE READ THESE INSTRUCTIONS BEFORE YOU OPERATE THIS HEATER.

GENERAL HAZARD WARNING:

- ⚠ FAILURE TO COMPLY WITH THE PRECAUTIONS AND INSTRUCTIONS PROVIDED WITH THIS HEATER, CAN RESULT IN DEATH, SERIOUS BODILY INJURY AND PROPERTY LOSS OR DAMAGE FROM HAZARDS OF FIRE, EXPLOSION, BURN, ASPHYXIATION, CARBON MONOXIDE POISONING, AND/OR ELECTRICAL SHOCK.
- ⚠ ONLY PERSONS WHO CAN UNDERSTAND AND FOLLOW THE INSTRUCTIONS SHOULD USE OR SERVICE THIS HEATER.
- ⚠ IF YOU NEED ASSISTANCE OR HEATER INFORMATION SUCH AS AN INSTRUCTIONS MANUAL, LABELS, ETC. CONTACT THE MANUFACTURER.

WARNING:

⚠ **CARBON MONOXIDE CAN KILL YOU**
USING A PORTABLE GAS CAMPING HEATER INSIDE A TENT, RV, CAMPER, VEHICLE, SHELTER OR OTHER ENCLOSED AREAS CAN PRODUCE DEADLY CARBON MONOXIDE

WARNING:

⚠ NOT FOR HOME OR RECREATIONAL VEHICLE USE

WARNING:

⚠ FIRE, BURN, INHALATION, AND EXPLOSION HAZARD. KEEP SOLID COMBUSTIBLES, SUCH AS BUILDING MATERIALS, PAPER OR CARDBOARD, A SAFE DISTANCE AWAY FROM THE HEATER AS RECOMMENDED BY THE INSTRUCTIONS NEVER USE THE HEATER IN SPACES WHICH DO OR MAY CONTAIN VOLATILE OR AIRBORNE COMBUSTIBLES, OR PRODUCTS SUCH AS GASOLINE, SOLVENTS, PAINT THINNER, DUST PARTICLES OR UNKNOWN CHEMICALS.

WARNING:

The State of California requires the following warning:
COMBUSTION BY-PRODUCTS PRODUCED WHEN USING THIS PRODUCT CONTAIN CARBON MONOXIDE, A CHEMICAL KNOWN TO THE STATE OF CALIFORNIA TO CAUSE CANCER AND BIRTH DEFECTS (OR OTHER REPRODUCTIVE HARM).

THIS PRODUCT CONTAINS CHEMICALS KNOWN TO THE STATE OF CALIFORNIA TO CAUSE CANCER AND BIRTH DEFECTS OR OTHER REPRODUCTIVE HARM.

WARNING:

- DO NOT USE GASOLINE, NAPHTHA OR VOLATILE FUELS.
- STOP HEATER BEFORE ADDING FUELS.
- ALWAYS FILL OUTDOORS AWAY FROM OPEN FLAME
- DO NOT USE EXTERNAL FUEL SOURCE.
- DO NOT OPERATE HEATER WHERE FLAMMABLE LIQUIDS OR VAPORS MAY BE PRESENT.
- DO NOT START HEATER WHEN CHAMBER IS HOT
- DO NOT START HEATER WHEN EXCESS FUEL HAS ACCUMULATED IN THE CHAMBER.
- DO NOT PLACE COOKING UTENSILS ON TOP OF THE HEATER.
- PLUG ELECTRICAL CORD INTO A PROPERLY GROUNDED THREE-PRONG RECEPTACLE.

⚠ HS50K & HS75KT WARNING:

Not suitable for use on wood floors or other combustible materials. When used the heater should rest on a suitable insulating material at least 1 inch thick and extending 3 feet or more beyond the heater in all directions.

CONTENTS

WARNINGS 2

HEATER SPECIFICATIONS 3

OPERATING PRECAUTIONS 3

SAFETY PRECAUTIONS 3

OPERATING INSTRUCTIONS 3

MAINTENANCE, STORAGE AND SERVICE 4

TROUBLE SHOOTING 6

WIRING DIAGRAM 7

PARTS LIST 8






EXPLODED VIEW 9

WARRANTY 10

INSTRUCTIONS FOR ORDERING PARTS 10

SPECIFICATIONS

CAUTION: CSA certified for use with only No. 1-K kerosene fuel.

Model	HS50K	HS75KT	HS125KT	HS175KT	HS210KT
Burn Rate:	50,000 Btu/hr (14.7 kW)	75,000 Btu/hr (22 kW)	125,000 Btu/hr (37 kW)	175,000 Btu/hr (51 kW)	210,000 Btu/hr (61.5 kW)
Fuel Rate:	0.37 gal/hr (1.4 L/hr)	0.55 gal/hr (2.1 L/hr)	0.96 gal/hr (3.5 L/hr)	1.3 gal/hr (5.0 L/hr)	1.6 gal/hr (6.0 L/hr)
Electrical Input:	115V, 60Hz, 3.5a	115V, 60Hz, 4a	115V, 60Hz, 5.5a	115V, 60Hz, 5.5a	115V, 60Hz, 5.5a
Line Protection:	10 amps	10 amps	20 amps	20 amps	20 amps
Min. Operating Voltage:	110V	110V	110V	110V	110V
Pressure Setting:	3.8 psig (26.2 kPa)	4.2 psig (29 kPa)	5.1 psig (35.2 kPa)	6.8 psig (46.9 kPa)	8.2 psig (56.5 kPa)
Max. Outlet Temperature:	1300°F (704°C)	1300°F (704°C)	1300°F (704°C)	1300°F (704°C)	1300°F (704°C)
Fuel Tank Capacity:	4 gallons (15.1 L)	6 gallons (22.7 L)	14 gallons (53 L)	14 gallons (53 L)	14 gallons (53 L)
Ignition:	Direct Spark, Continuous	Direct Spark, Continuous	Direct Spark, Continuous	Direct Spark, Continuous	Direct Spark, Continuous
Spark Generator:	Igniter 13 kV, 10ma	Igniter 13 kV, 10ma	Igniter 13 kV, 10ma	Igniter 13 kV, 10ma	Igniter 13 kV, 10ma
Primary Safety Control:	Solid State Control	Solid State Control	Solid State Control	Solid State Control	Solid State Control
Certification:					

OPERATING PRECAUTIONS

This is a kerosene, direct-fired, forced air heater. It's intended use is primarily temporary heating of buildings under construction, alteration or repair.

Direct-Fired means that all of the combustion products enter the heated space. Even though this heater operates very close to 100 percent combustion efficiency, it still produces small amounts of carbon monoxide. Carbon monoxide (called CO) is toxic. CO can build up in a heated space and failure to provide adequate ventilation could result in death. The symptoms of inadequate ventilation are:

- headache
- dizziness
- burning eyes and nose
- nausea
- dry mouth or sore throat

Be sure to follow advice about ventilation in the Safety Precautions section.

Forced Air means that a blower or fan pushes the air through the heater. Proper combustion depends upon this air flow; therefore, the heater must not be revised, modified or operated with parts removed or missing. Likewise, safety systems must not be circumvented or modified in order to operate the heater.

When the heater is to be operated in the presence of other people the user is responsible for properly acquainting those present with the safety precautions and instructions, and of the hazards involved.

SAFETY PRECAUTIONS

1. Recommended for use with No.1-K kerosene fuel. Factory tested for use with No.2-K kerosene, No.1 or No.2 Diesel, No.1 or No.2 fuel oil or JP8 Jet A fuel and these fuels may be used as well. Never use gasoline, oil drained from crank cases, naphtha, paint thinners, alcohol or any other highly flammable fuels.
2. Check the heater thoroughly for damage. DO NOT operate a damaged heater.
3. DO NOT modify the heater or operate a heater which has been modified from its original condition.
4. For indoor use only. Not for use where exposed to weather.
5. Use in well ventilated areas, provide at least 2 sq. ft. (0.19 sq. m.) of opening near the floor and 2 sq. ft. (0.19 sq. m.) near the ceiling directly to outdoors. Increase air openings as marked for each additional heater.

6. Always keep combustibles, like paper and wood at least 8 ft. (2.4 m) from the heater outlet and 3 ft. (1.0 m) from the top, sides and inlet. Locate 10 ft. (3.0 m) from canvas or plastic coverings and secure them to prevent flapping movement.
7. Caution: Due to the high surface and exhaust temperatures, adults and children must observe clearances to avoid burns or clothing ignition. Do Not Touch. Keep children, clothing, and combustible away.
8. Install the heater such that it is not directly exposed to water spray, rain and / or water.
9. Never use in areas normally for habitation and /or where children may be present.
10. Operate only on a stable, level surface. (HS50K & HS75KT – See wood floor warning).
11. Do not use with duct work. Do not restrict inlet or exit.
12. Use only with electrical power specified. The electrical connection and grounding must comply with National Electrical Code – ANSI/NFPA 70 (USA) and CSA C22.1 Canadian Electrical Code, Part 1 (Canada).
13. Use only a properly grounded 3-prong receptacle or extension cord.
14. Do not move, handle, or service while hot or in operation.
15. Use only in accordance with local, state (provincial) or national requirements, ordinances and codes.

OPERATING INSTRUCTIONS

UNPACKING

1. Remove heater from carton.
2. Remove all protective material which may have been applied to the heater for shipment.
3. Check the heater for possible shipping damage. If any damage is found immediately contact the manufacturer at 800-251-0001.

ASSEMBLY (For 125,000, 175,000 and 210,000 BTU/hr models only, see figure 1, page 8.)

Wheels and handles are found in the shipping carton along with mounting hardware. The wheels, axle and mounting hardware are in a package. Tools required are a 5/16" nut driver, 3/8" open or adjustable wrench and standard pliers.

1. Assemble the wheels onto the wheel support frame as follows:

- a. Install one of the cotter pins into the hole on one end of axle.
 - b. Slide the large washer, then wheel onto the axle next to the cotter pin.
 - c. Slide the spacer onto the axle next to the wheel.
 - d. Slide the partially assembled axle through the wheel support frame.
 - e. Slide the spacer onto the axle next to the wheel support.
 - f. Slide the wheel then large washer onto the axle and hold in place with the remaining cotter pin.
 - g. Install the caps over the larger washers to finish the wheel assembly.
2. Position the heater on the wheel support frame assembly with the exit opposite the wheels.
 3. Use eight screws and nuts to attach the handles to the top of the tank flange. The screws will go through the handles, tank flange and wheel support frame. Install the nuts and finger tight only until all nuts are installed.
 4. Tighten all the nuts.
 5. Attach cord caddies to handles using No. (4) & No. (5) screws and nuts.

PREPARING FOR OPERATION

1. Check the heater for possible shipping damage. If any is found, *immediately* contact the manufacturer at 800-251-0001.
2. Follow all of the "Precautions".
3. Fill the fuel tank with clean kerosene. In extremely cold weather, condensation may develop in the tank and it is recommended that a tablespoon of de-icer be added for each gallon (4 liters) of fuel in the tank. When filling the heater, use at least 2 gallons (8 liters) of fuel. Be sure heater is level and do not overfill. Use a funnel or can with a long fill spout.

IMPORTANT: Before filling fuel tank the first time or after extended storage periods, drain the fuel tank of any moisture or condensation.

4. Locate heater at a safe distance from combustible materials. Models 50 & 75 are not suitable for use on wood floors or other combustible materials. When used, the heater should rest on suitable insulating material at least 1 inch thick and extending 3 ft. or more beyond the heater in all directions.

HEATER START UP

1. **HS50K:** Plug the heater into a grounded 115V, 60 Hz, 1 Ø outlet.
HS75KT, HS125KT, HS175KT & HS210KT: Turn thermostat to lowest setting, make sure "On/Off" switch is "Off". Plug the heater into a grounded 115V, 60 Hz, 1 Ø outlet. Turn thermostat to highest setting. Start heater by pushing toggle switch to "On" position (light signifies switch is in "ON" position). Adjust thermostat to desired setting. Heater will cycle on/off as heat is required.
EXTENSION CORD REQUIREMENTS: Up to 100' (30.5m) use 16 awg. conductor. 101' - 200' (30.5 - 61.0m) use 14 awg. conductor.

For all models:

- In cold weather (below 10 F), starting may be improved by holding a finger over the vent hole of the pump adjustment screw until the heater starts.
- This unit is equipped with an interrupt circuit. The reset is integrated into the "On/Off" switch. If the unit does not start, toggle the switch to "Off", wait 5 min. and toggle

the switch to "On".

HEATER SHUT DOWN

1. **HS50K:** Unplug heater from power source.
HS75KT, HS125KT, HS175KT & HS210KT: Push "On/Off" switch to "Off" position. For extended shutdown, unplug heater from power source.

RESTART AFTER SAFETY SHUTDOWN (HS50K, HS75KT, HS125KT, HS175KT & HS210KT) See page 6.

HS50K - Unplug unit. Wait 5 minutes. Plug back in.
HS75KT, HS125KT, HS175KT & HS210KT - Toggle switch to "OFF" position, wait 5 minutes. Restart.

MAINTENANCE AND STORAGE

WARNING. To prevent personal injury, unplug the heater from the wall outlet before servicing.

For maximum efficiency and trouble-free service, make the following periodic maintenance, cleaning and inspections.

ADJUSTING PUMP PRESSURE

Due to varying fuel viscosities and normal component wear the pump pressure on this heater may need to be adjusted.

ADJUSTMENT PROCEDURE:

1. Fill fuel tank.
2. Start heater.
3. Locate the fuel pressure adjustment screw (ref. #26) in the exploded parts drawing. The pressure adjustment screw is located at the rear of the heater, in the air filter housing cover (slotted adjustment screw approx. 10 o'clock position).
4. The plug directly under the adjustment screw can be used to install a pressure gauge. It is not a second adjustment screw.
5. Using a flat bladed screw driver, turn the pump pressure adjustment screw clockwise to increase pump pressure and/or counter-clockwise to decrease pump pressure. Base pump pressures can be found in the specifications chart on page 3 of the "Operating Instructions and Owners' Manual".
6. For best results, the nose cone in the combustion chamber should be cherry red with no dark spots and the flame should not extend beyond the nose cone.

IMPROPER PRESSURE ADJUSTMENT

Problem: Heater does not have a strong consistent flame.
Heater smokes and spits raw fuel.
Nose cone does not get cherry red.

Adjustment: Pump pressure is too low.
Turn adjustment screw clockwise to increase pump pressure.

Problem: Flame extends beyond the end of the heater.

Adjustment: Pump pressure is too high.
Turn adjustment screw counter clockwise to decrease pump pressure.

DAILY SCHEDULE

1. **GENERAL.** Make general visual inspection of heater for loose or damaged parts. Check nuts and bolts to insure against

looseness caused by vibration or rough handling. Damaged parts should be repaired or replaced before using heater again. Check heater operation to be sure it is operating normally (See "Servicing" section for description of normal operation).

2. **FILTERS.** Dirty air or fuel filters will cause an imbalance in the air-fuel mixture. The best indication that this condition exists is an increase in odors or difficulty getting your heater to ignite. This heater should never be operated without the filters in place. If required, clean filters as described under "500 Hours" and "Annual Schedules".

500 HOUR SCHEDULE

1. **AIR INTAKE FILTER.** Remove and wash the filter element with a mild detergent, dry thoroughly and replace. Do not oil the filter element. If your heater is used where there is considerable dust or dirt, clean as often as necessary (approximately every 50 hrs.).
2. **REMOVE DUST.** Clean heater twice a season (more often under dusty conditions). Remove accumulated dust from the transformer, burner, motor and fan blades with compressed air. Wipe area clean with a clean dry cloth. Inspect area to insure all foreign materials are removed, especially around the burner and combustion area.
3. **CAD CELL.** Clean the glass portion of the cad cell with a soft dry cloth.
4. **NOZZLE.** Accumulation of dirt from fuel and carbon from the compressor vanes will eventually fill up the passages in the nozzle, resulting in reduction of fuel and air flow. Pressure will gradually increase giving improper fuel-air mixture and excess odor and smoke. If this occurs, replace the fuel nozzle.
5. **FUEL TANK.** Clean twice a season (during frequently used periods, clean twice a month). Drain and flush the fuel tank with clean fuel oil.

ANNUAL SCHEDULE

1. **AIR OUTPUT FILTER.** Remove the air output filter and tap the contaminated side gently on a solid object to remove contaminants. Compressed air or liquids should not be used to clean this filter. Reinstall cleaned filter in filter body in the same position as it was when removed. If the filter appears extremely dirty, replace it with a new filter of the same type. When replacing the filter cover, be sure the gasket is firmly in place and the screws in the filter cover are tight to prevent air leaks.
2. **FUEL FILTER.** Remove the fuel filter from fuel line and direct compressed air through the filter in the opposite direction of fuel flow. Safety glasses should be worn when using compressed air.
3. **AIR AND FUEL LINES.** If the air or fuel lines are removed during cleaning, be sure all connections are tight before operating unit.

STORAGE

Store the heater in a dry location free from fumes or dust.

At the end of each heating season, clean the heater as described in the MAINTENANCE section. Drain and flush the fuel tank with clean fuel. The manufacturer recommends completely filling the tank with fuel for extended storage to minimize condensation inside the tank.

SERVICING

A hazardous condition may result if a heater is used that has been modified or is not functioning properly.

When the heater is working normally:

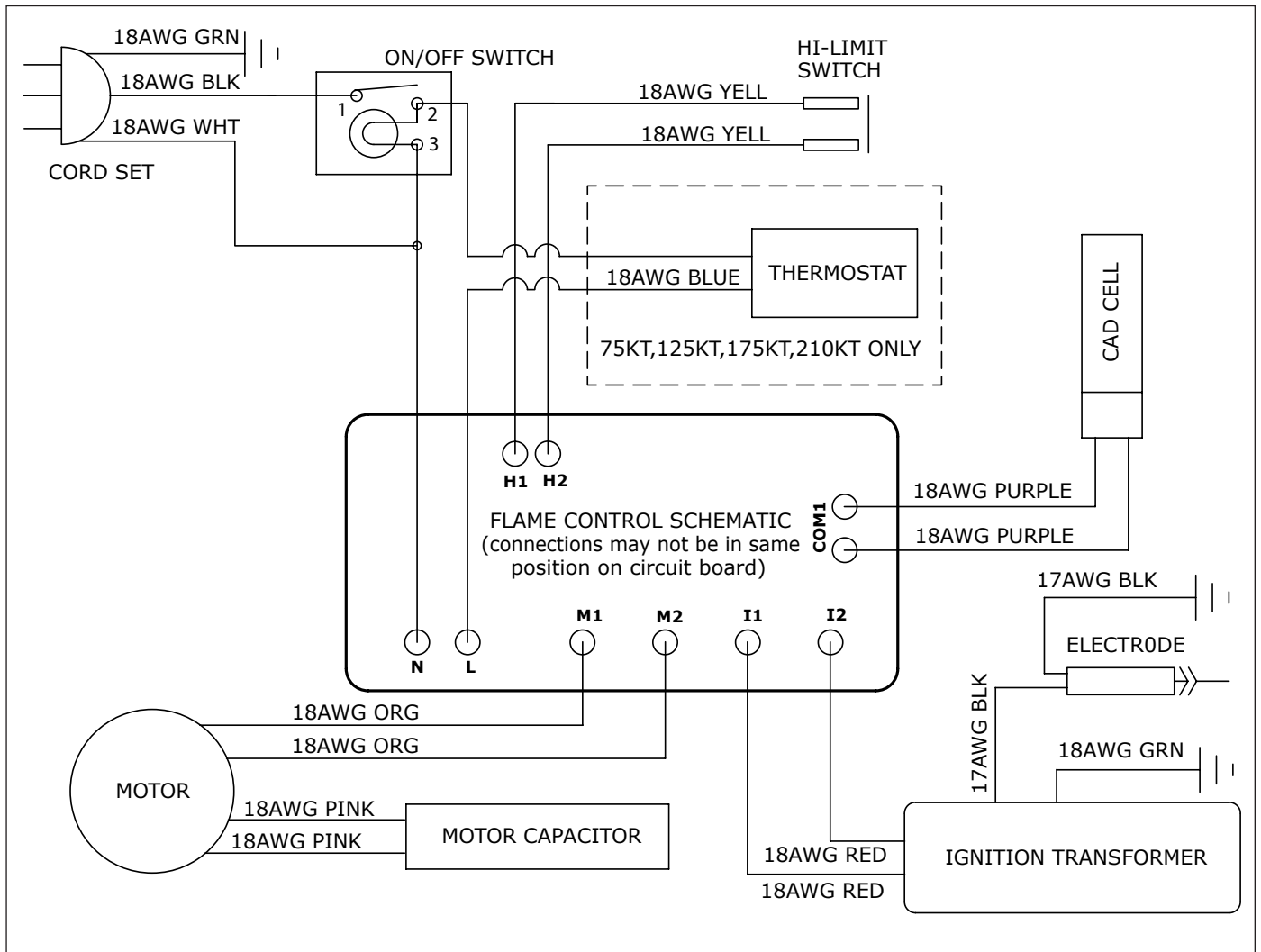
- * The flame is contained within the heater.
- * The flame is essentially yellow.
- * There is no strong disagreeable odor, eye burning or other physical discomfort.
- * There is no smoke or soot internal or external to the heater.
- * There are no unplanned or unexplained shut downs of the heater.

DIAGNOSTIC SAFETY SHUTDOWN AND TROUBLE SHOOTING

These instructions are applicable for HS50K, HS75KT, HS125KT, HS175KT, HS210KT

SYMPTOM SHOOTING	TROUBLE
High limit switch Open Circuit	1) Make sure heater is cooled off, toggle switch to "OFF" position, wait 5 minutes and retry.
Sparks, calling for flame, but no or slow motor operation	1) Check wiring to motor (per wiring schematic in manual). 2) Make sure that the gauge plug is in place and not damaged. 3) Adjust pressure for proper heater operation per manual. 4) With heater disconnected from AC source, rotate fan clockwise to verify motor is free. 5) Remove air filter housing from motor and inspect the pump rotor for damage. If damaged, replace rotor assembly. 6) If wiring is correct, pump rotor is okay, and motor is not rotating freely, replace motor or power-pack assembly. 7) If problem persists, replace oil flame control assembly. 8) Check for spark arching from the electrode assembly, to the combustion cylinder. 9) Check the cad cell for continuity.
No Spark	1) Check length and gage of extension cord for proper amp. draw. (Check requirements on page 4.) 2) Check wiring to igniter (per wiring schematic in manual). 3) Check gap between electrode probes (2.3 - 3 mm). 4) Still no spark, replace igniter assembly. 5) Replace oil flame control assembly.
Abnormal Motor Operation - Motor overheats or Stops	1) Motor speed too low (Motor should operate at 3450rpm) - Replace motor. 2) With heater disconnected from AC source, rotate fan clockwise to verify motor is free. 3) Remove air filter housing from motor and inspect the pump rotor for damage. If damaged, replace rotor assembly. 4) If wiring is correct, pump rotor is okay, and motor is not rotating freely, replace motor or power-pack assembly. 5) Replace oil flame control assembly.
Unable to Detect Flame	1) Check wiring to cad cell (per wiring schematic in manual). 2) Clean cad cell photo cell. a) Slide cad cell out of cad cell holder. b) Push the photo cell out of the black rubber cad cell housing by pushing on the 2 purple wires. c) Clean the photo cell with a soft cloth and rubbing alcohol. d) Pull the photo cell back into the cad cell housing and reinstall into holder. e) Test heater. 3) If the heater still does not operate, replace cad cell. 4) Replace oil flame control assembly.
Flame Control Failure	1) Check wiring in heater (per wiring schematic in manual). 2) Replace oil flame control assembly.

WIRING DIAGRAM



The parts lists and wiring diagram show the heater as it was constructed. Do not use a heater which is different from that shown. Heater performance is effected by air pressure setting. If there is any uncertainty about the air pressure setting, have it checked.

A heater which is *not* working right must be repaired, but *only* by a trained, experienced service person.

PARTS LIST

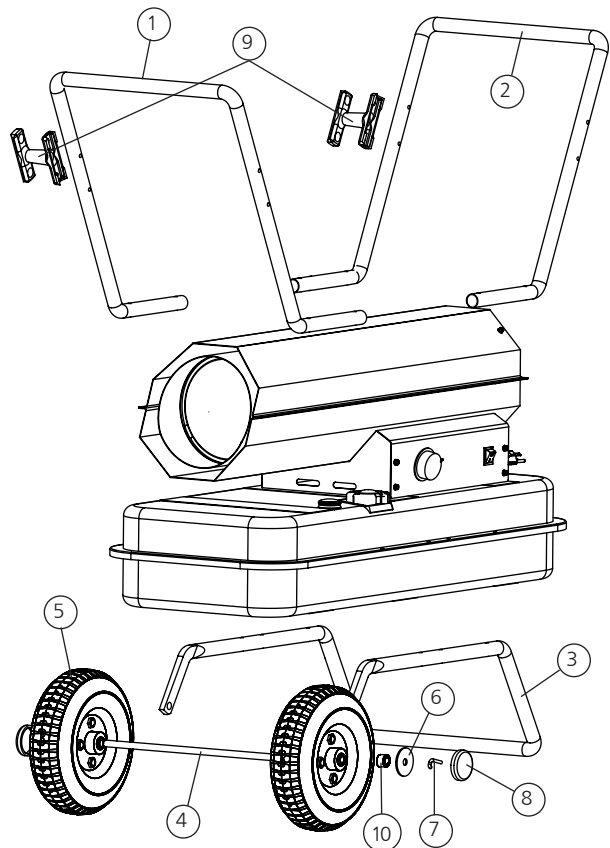
Ref.	Item #	Item #	Item #	Item #	Item #	Description
	HS50K	HS75KT	HS125KT	HS175KT	HS210KT	
1	21036	21036	21036	21036	21036	Power Cord
2	21676	22213	22214	22214	22214	Fuel Tank Assembly
3	****	****	22216	21783	22099	Radiation Shield Ass'y
4	21807	26967	26975	26975	26975	Power Pac Ass'y
5	21686	24343	24346	24346	24346	Fuel Tube
6	21685	28734	21771	21768	21771	Grille Assembly
7	24011	24011	24011	24011	24011	Oil cad cell Bracket
8	28779	28779	28780	28780	28780	Fuel Filter
10	21050	21075	21125	21175	22127	Bottom Shell
11	22050	22075	22125	22175	22102	Top Shell
12	23704	24332	24333	22334	24333	Motor Mounting Brkt
13	****	28788	28735	28735	28735	Start Capacitor
14	23725	23725	24345	24345	24345	Air Tube
15	26225	26225	26225	26225	26225	Snap Bushing
16	21794	21794	26901	22105	22105	High Limit Control
17	F226831	F226831	F226831	F226831	F226831	Kit, Rotor - Air Pump Rotor w/Vanes - Nylon Air Pump Insert
21	****	****	22257	22257	22257	Burner Head Ass'y
22	F221887	F221887	F221887	F221887	F221887	Kit, Filter
23	21813	21813	21813	21813	21813	Gasket, Outlet Filter
24	21814	21814	21814	21814	21814	Outlet Filter
25	21815	21815	21815	21815	21815	Inlet Filter
26	F266842	F266842	F266842	F266842	F266842	Kit, Pump Adjustment - Nylon Pipe Plug - Pump Adj. Screw Cap - Ball, Pressure adj. - Spring, Pressure adj.
27	21866	21866	21866	21866	21866	Flame Control Ass'y
28	21816	21816	21816	21816	21816	Flame Control Bracket
29	F226865	F226865	F226865	F226865	F226865	cad cell Flame Sensor
30	22215	22215	22233	22234	22107	Comb.Chamber Cyl. Ass'y
31	26959	26959	26959	26959	26959	Fuel Cap

Ref.	Item #	Item #	Item #	Item #	Item #	Description
	HS50K	HS75KT	HS125KT	HS175KT	HS210KT	
32	26910	26910	26910	26910	26910	Fuel Cap Gasket
34	27790	27790	28739	40975	40975	Nozzle Adapter
35	27421	28740	26885	26866	26866	Fan
36	22142	22142	22142	22142	22142	Igniter Assembly
37	F227416	F221878	F221879	F221889	F221891	Fuel Air Aspir. Nozzle
38	26223	26223	26223	26223	26223	Strain Relief Bushing
39	F221857	F221857	F221857	F221857	F221857	Electrode Assembly
40	21820	21820	21820	21820	21820	Electrode Insulated Cover
42	****	21823	21823	21823	21823	Thermostat Knob
43	****	21734	21734	21734	21734	Thermostat Assembly
44	21872	21872	21872	21872	21872	ON/OFF Switch
45	****	28791	28778	28778	28778	Fuel Gauge
46	21829	21889	21825	21825	21825	Control Panel
47	26887	26887	26888	26888	26888	Control Panel Back
48	27094	27094	****	****	****	Clip Hanle Mtg.
49	27095	27095	****	****	****	Handle
*	24171	24171	****	****	****	Nozzle mtg. plate
*			26227	26227	26227	Snap Bushing
*	27429	27429	27429	27429	27429	Nozzle Extnl. Retaining Ring
*	28745	28745	****	****	****	Fuel Line Bushing
*	****	22146	22146	22146	22146	Bracket Thermostat Mtg.
*	****	26070	26070	26070	26070	Clamp Loop
*	Not shown in the drawing					

PARTS LIST

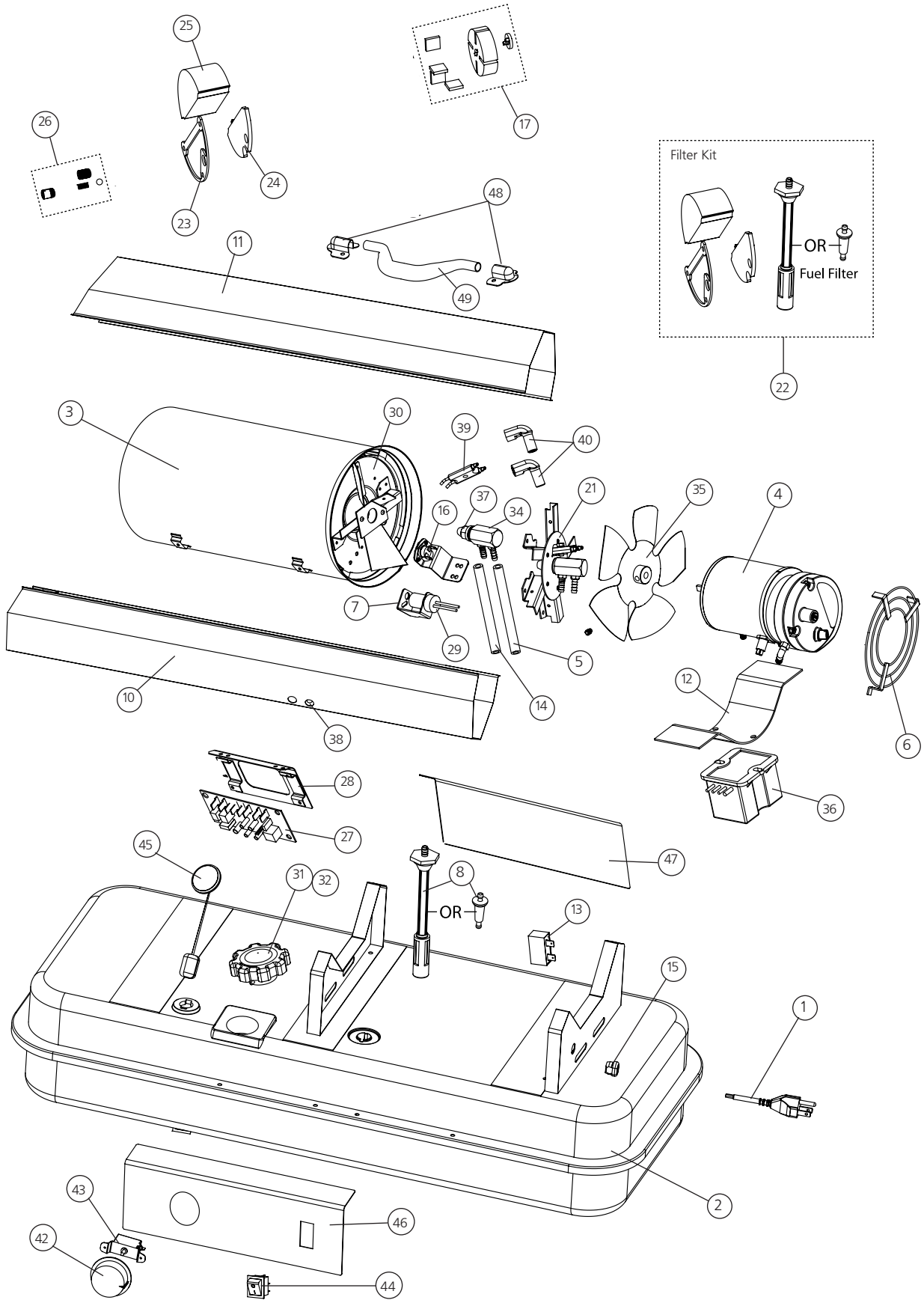
Ref.	Item #	Item #	Item #	Description
	HS125KT	HS175KT	HS210KT	
1	21873	21873	21873	Handle, Front
2	21874	21874	21874	Handle, Rear
3	21875	21875	21875	Wheel Support Frame
4	22191	22191	22191	Axle
5	40859	40859	40859	Wheel Ass'y
6	28749	28749	28749	Large Retainer Washer
7	28750	28750	28750	Cotter Pin
8	28751	28751	28751	Hub Cap
9	28754	28754	28754	Extension Cord Caddy
10	21897	21897	21897	Wheel Spacer
*	28787	28787	28787	Hardware Kit

Handle and wheel assembly for HS125KT, HS175KT & HS210KT only.



* Not shown in drawing

Figure 1.





OPERATING INSTRUCTIONS AND OWNER'S MANUAL

Model #

HS50K, HS75KT,
HS125KT, HS175KT,
HS210KT



WARNING:

USE ONLY MANUFACTURER'S REPLACEMENT PARTS. USE OF ANY OTHER PARTS COULD CAUSE INJURY OR DEATH. REPLACEMENT PARTS ARE ONLY AVAILABLE DIRECT FROM THE FACTORY AND MUST BE INSTALLED BY A QUALIFIED SERVICE AGENCY.

PARTS ORDERING INFORMATION:

PURCHASING: Accessories may be purchased at any HEATSTAR by ENERCO local dealer or direct from the factory

FOR INFORMATION REGARDING SERVICE

Please call Toll-Free 866-447-2194
www.heatstarbyenerco.com

Our office hours are 8:00 AM – 5:00 PM, EST, Monday through Friday.

Please include the model number, date of purchase, and description of problem in all communication.

LIMITED WARRANTY

Enerco Technical Products, Inc. warrants its heaters and accessories to be free from defects in material and workmanship for a period of 1 year from date of purchase. Enerco Technical Products, Inc. will repair or replace this product free of charge if it has been proven to be defective within the 1-year period, and is returned at customer expense with proof of purchase to Enerco Technical Products, Inc. within the warranty period.

Mr. Heater, Inc. reserves the right to make changes at any time, without notice or obligation, in colors, specifications, accessories, materials and models.

PRODUCT REGISTRATION: Thank you for your purchase.
Please log in to <http://www.egiregistration.com> to register your product.

HEATSTAR by ENERCO, 4560 W. 160TH ST., CLEVELAND, OHIO 44135
866-447-2194
© 2015, Enerco Technical Products, Inc. All rights reserved



UL733, CSA B140.8, CSA B140.9.3



GUIDE D'UTILISATION ET INSTRUCTIONS DE FONCTIONNEMENT

Modèle #

HS50K, HS75KT,
HS125KT, HS175KT,
HS210KT

LISEZ SOIGNEUSEMENT LES INSTRUCTIONS. Lisez et observez toutes les instructions. Conservez les instructions pour vous y référer ultérieurement. Interdisez à quiconque n'ayant pas lu les présentes instructions d'assembler, d'allumer, de régler ou de faire fonctionner cet appareil de chauffage.



APPAREIL DE CHAUFFAGE À AIR PULSÉ AU KÉROSÈNE

⚠ AVERTISSEMENT : Le non-respect des instructions, telles qu'indiquées dans le présent guide, risque d'entraîner une explosion ou un incendie entraînant des dommages matériels ou des blessures graves, voire mortelles.

- N'entreposez pas et n'utilisez pas d'essence ou d'autres liquides ou vapeurs inflammables à proximité de ce type d'appareil.
- L'entretien doit être effectué par un fournisseur de services d'entretien qualifié.

Cet appareil de chauffage portable n'est pas ventilé. Il utilise l'oxygène de l'air ambiant. Une circulation d'air adéquate doit être assurée pour la combustion et la ventilation. Voir page 3.



UL733, CSA B140.8, CSA B140.9.3

AVERTISSEMENT :

- ⚠ VOTRE SÉCURITÉ PERSONNELLE ÉTANT IMPORTANTE POUR TOUS, VEUILLEZ LIRE LES INSTRUCTIONS AVANT D'UTILISER CET APPAREIL DE CHAUFFAGE.

AVERTISSEMENT GÉNÉRAL DE DANGER :

- ⚠ LE NON-RESPECT DES MESURES DE PRÉVENTION ET INSTRUCTIONS FOURNIES AVEC CET APPAREIL DE CHAUFFAGE RISQUE DE CAUSER LA MORT, DES BLESSURES GRAVES ET DES DOMMAGES OU DES PERTES MATÉRIELLES RÉSULTANT D'INCENDIE, D'EXPLOSION, DE BRÛLURE, D'ASPHYXIE, D'INTOXICATION AU MONOXYDE DE CARBONE OU D'ÉLECTROCUTION.
- ⚠ SEULES LES PERSONNES APTES À COMPRENDRE ET À RESPECTER LES INSTRUCTIONS DEVRAIENT UTILISER OU EFFECTUER L'ENTRETIEN DE CET APPAREIL DE CHAUFFAGE.
- ⚠ SI VOUS AVEZ BESOIN D'AIDE OU D'INFORMATION AU SUJET DE L'APPAREIL DE CHAUFFAGE (MANUEL D'INSTRUCTIONS, ÉTIQUETTES, ETC.), VEUILLEZ COMMUNIQUER AVEC LE FABRICANT.

AVERTISSEMENT :

- ⚠ **LE MONOXYDE DE CARBONE PEUT VOUS TUER.**
L'UTILISATION D'UN APPAREIL DE CHAUFFAGE DE CAMPING PORTATIF À GAZ DANS UNE TENTE, UN VÉHICULE RÉCRÉATIF, UNE ROULOTTE, UNE VOITURE, UN ABRI OU TOUT AUTRE ENDROIT FERMÉ PRODUIT DU MONOXYDE DE CARBONE, UN GAZ MORTEL.

AVERTISSEMENT :

- ⚠ NON CONÇU POUR ÊTRE UTILISÉ DANS UNE HABITATION OU UN VÉHICULE RÉCRÉATIF.

AVERTISSEMENT :

- ⚠ DANGER D'INCENDIE, D'EXPLOSION ET D'INHALATION. CONSERVEZ LES MATÉRIAUX COMBUSTIBLES TELS QUE LES MATÉRIAUX DE CONSTRUCTION, LE PAPIER ET LE CARTON À UNE DISTANCE SÉCURITAIRE DE L'APPAREIL DE CHAUFFAGE COMME LE RECOMMANDENT LES INSTRUCTIONS. N'UTILISEZ JAMAIS L'APPAREIL DE CHAUFFAGE DANS UN LOCAL QUI CONTIENT OU RISQUE DE CONTENIR DES PARTICULES COMBUSTIBLES EN SUSPENSION DANS L'AIR OU DES PRODUITS TELS QUE DE L'ESSENCE, DES SOLVANTS, DU DILUANT À PEINTURE, DES PARTICULES DE POUSSIÈRE OU DES PRODUITS CHIMIQUES INCONNUS.

AVERTISSEMENT :

L'État de la Californie exige que l'avertissement suivant soit fourni :
L'UTILISATION DE CET APPAREIL GÉNÈRE DES SOUS-PRODUITS DE COMBUSTION CONTENANT DU MONOXYDE DE CARBONE, PRODUIT CHIMIQUE RECONNU PAR L'ÉTAT DE LA CALIFORNIE COMME CAUSE DE CANCER ET D'ANOMALIES CONGÉNITALES (OU AUTRES RISQUES POUR LA REPRODUCTION).

CET APPAREIL CONTIENT DES PRODUITS CHIMIQUES RECONNUS PAR L'ÉTAT DE CALIFORNIE COMME POUVANT CAUSER LE CANCER ET DES MALFORMATIONS CONGÉNITALES OU AUTRES DOMMAGES AU SYSTÈME REPRODUCTEUR.

⚠ AVERTISSEMENT :

- N'EMPLOYEZ PAS D'ESSENCE, DE NAPHTHE OU DE PRODUITS COMBUSTIBLES VOLATILS.
- ARRÊTEZ L'APPAREIL DE CHAUFFAGE AVANT D'Y AJOUTER DU COMBUSTIBLE.
- REMPLISSEZ TOUJOURS LE RÉSERVOIR À L'EXTÉRIEUR, LOIN D'UNE FLAMME NUE.
- N'UTILISEZ PAS DE SOURCE DE COMBUSTIBLE EXTERNE.
- NE FAITES PAS FONCTIONNER L'APPAREIL DE CHAUFFAGE SI DES VAPEURS OU DES LIQUIDES INFLAMMABLES RISQUENT D'ÊTRE PRÉSENTS.
- NE DÉMARREZ PAS L'APPAREIL DE CHAUFFAGE SI LA CHAMBRE DE COMBUSTION EST CHAUDE.
- NE DÉMARREZ PAS L'APPAREIL DE CHAUFFAGE SI UN SURPLUS DE COMBUSTIBLE S'EST ACCUMULÉ DANS LA CHAMBRE DE COMBUSTION.
- NE PLACEZ PAS D'USTENSILES DE CUISSON SUR L'APPAREIL DE CHAUFFAGE.
- BRANCHEZ LE CORDON ÉLECTRIQUE DANS UNE PRISE À TROIS BROCHES ADÉQUATEMENT MISE À LA TERRE.

⚠ AVERTISSEMENT RELATIF AUX MODÈLES HS50K ET HS75KT :






Non conçu pour être utilisé sur des planchers de bois ou d'autres matériaux combustibles. Lors de son fonctionnement, l'appareil de chauffage doit reposer sur un matériau isolant adéquat d'au moins 2,5 cm (1 po) d'épaisseur et dépassant l'appareil d'au moins 90 cm (3 pi) de tous les côtés.

TABLE DES MATIÈRES

AVERTISSEMENTS	2
FICHE TECHNIQUE	3
PRÉCAUTIONS LIÉES AU FONCTIONNEMENT	3
PRÉCAUTIONS LIÉES À LA SÉCURITÉ	3
INSTRUCTIONS D'UTILISATION	3
ENTRETIEN, ENTREPOSAGE ET RÉPARATION	4
DÉPANNAGE	6
SCHÉMA DE CÂBLAGE	7
LISTE DES PIÈCES	8
VUE ÉCLATÉE	9
GARANTIE	10
INSTRUCTIONS POUR LA COMMANDE DE PIÈCES	10

SPÉCIFICATIONS

PRUDENCE : CSA certifié pour l'utilisation avec seulement No. 1-K le combustible de pétrole.

Modèles	HS50K	HS75KT	HS125KT	HS175KT	HS210KT
Taux de combustion :	50 000 Btu/h (14,7 kW)	75 000 Btu/h (22 kW)	125 000 Btu/h (37 kW)	175 000 Btu/h (51 kW)	210 000 Btu/h (61,5 kW)
Consommation de combustible :	0,37 gal/h (1,4 L/h)	0,55 gal/h (2,1 L/h)	0,96 gal/h (3,5 L/h)	1,3 gal/h (5,0 L/h)	1,6 gal/h (6,0 L/h)
Consommation électrique :	115 V, 60 Hz, 3,5 A	115 V, 60 Hz, 4 A	115 V, 60 Hz, 5,5 A	115 V, 60 Hz, 5,5 A	115 V, 60 Hz, 5,5 A
Courant maximal :	10 A	10 A	20 A	20 A	20 A
Tension minimale :	110 V	110 V	110 V	110 V	110 V
Pression :	3,8 psig (26,2 kPa)	4,2 psig (29 kPa)	5,1 psig (35,2 kPa)	6,8 psig (46,9 kPa)	8,2 psig (56,5 kPa)
Température de sortie maximale :	704 °C (1 300 °F)	704 °C (1 300 °F)	704 °C (1 300 °F)	704 °C (1 300 °F)	704 °C (1 300 °F)
Contenance du réservoir :	4 gallons (15,1 L)	6 gallons (22,7 L)	14 gallons (53 L)	14 gallons (53 L)	14 gallons (53 L)
Allumage :	Par étincelle, en continu	Par étincelle, en continu	Par étincelle, en continu	Par étincelle, en continu	Par étincelle, en continu
Générateur d'étincelle :	Allumeur 13 kV, 10 mA	Allumeur 13 kV, 10 mA	Allumeur 13 kV, 10 mA	Allumeur 13 kV, 10 mA	Allumeur 13 kV, 10 mA
Appareil de commande :	Commande transistorisée	Commande transistorisée	Commande transistorisée	Commande transistorisée	Commande transistorisée
Certification :					

PRÉCAUTIONS LIÉES AU FONCTIONNEMENT

Cet appareil de chauffage à air pulsé et à feu direct fonctionne au kérosène. Il est destiné principalement à chauffer temporairement des édifices en construction, en rénovation ou en réparation.

Le fonctionnement à feu direct de cet appareil signifie que tous les produits de combustion se retrouvent dans l'air ambiant. Même si la combustion de l'appareil de chauffage est presque complète, il produit quand même de petites quantités de monoxyde de carbone. Le monoxyde de carbone (appelé CO) est toxique. Il est possible que le CO s'accumule dans le local à chauffer. Une ventilation inadéquate pourrait ainsi causer la mort. Les symptômes ressentis en cas de ventilation inadéquate sont les suivants :

- mal de tête
- étourdissement
- sensation de brûlure au nez et aux yeux
- nausée
- mal de gorge ou bouche sèche

Assurez-vous de respecter les conseils au sujet de la ventilation mentionnés dans la section Précautions liées à la sécurité.

Un appareil à air pulsé signifie que l'air est soufflé dans l'appareil de chauffage par une soufflerie. La qualité de la combustion dépend du débit d'air. Par conséquent, l'appareil de chauffage ne doit pas être modifié ni être utilisé si des pièces sont manquantes. De même, les systèmes de sécurité ne doivent pas être contournés ni modifiés pour faire fonctionner l'appareil.

Lorsque l'appareil de chauffage doit fonctionner en présence d'autres personnes, l'utilisateur est responsable d'informer ces dernières des instructions et précautions liées à la sécurité et de les avertir des dangers inhérents.

PRÉCAUTIONS LIÉES À LA SÉCURITÉ

1. Recommandé pour l'utilisation avec le combustible de pétrole No.1-K. Testé en usine pour l'utilisation avec le pétrole No.2-K, No.1 ou le gazole No.2, No.1 ou le fuel No.2 ou le Jet de JP8 un combustible et ces combustibles peuvent être utilisés aussi. N'utilisez jamais de l'essence, le pétrole égoutté des cas de fanatique, le naphte, du diluant pour peintures, de l'alcool ou autres combustibles extrêmement inflammables.
2. Vérifiez attentivement si l'appareil de chauffage a subi des dommages. NE FAITES PAS fonctionner un appareil endommagé.

3. NE MODIFIEZ PAS l'appareil de chauffage et ne le faites pas fonctionner s'il n'est plus dans son état d'origine.
4. Pour utilisation intérieure seulement. L'appareil ne doit pas être exposé aux intempéries.
5. Faites fonctionner l'appareil dans des endroits bien aérés en laissant une ouverture d'au moins 0,19 m (2 pi) près du plancher et une autre d'au moins 0,19 m (2 pi) près du plafond, qui donnent directement sur l'extérieur. Augmentez la dimension de ces ouvertures tel qu'indiqué pour chaque appareil de chauffage additionnel.
6. Gardez tous les matériaux combustibles, comme le papier et le bois, à au moins 2,4 m (8 pi) de la sortie de l'appareil de chauffage et à 1,0 m (3 pi) du dessus et des côtés de l'appareil ainsi que de la prise d'air. Placez l'appareil à 3 m (10 pi) des toiles et des revêtements plastiques, et fixez-les afin d'empêcher tout battement.
7. Attention : En raison des températures élevées à la surface et à la sortie, les adultes et les enfants doivent respecter les distances de sécurité pour éviter les brûlures et l'inflammation des vêtements. Ne touchez pas à l'appareil. Gardez les enfants, les vêtements et les produits combustibles à bonne distance de l'appareil.
8. Placez l'appareil de chauffage de façon à ce qu'il ne soit pas exposé directement à l'eau.
9. Ne l'utilisez jamais dans des endroits qui servent normalement à l'habitation ni où sont présents des enfants.
10. Utilisez uniquement sur des surfaces stables et de niveau. (HS50K et HS75KT – Voir l'avertissement au sujet des planchers de bois.)
11. N'utilisez pas l'appareil avec des conduits d'air. N'obstruez pas l'entrée et la sortie d'air.
12. Utilisez uniquement avec l'alimentation électrique spécifiée. Le raccordement électrique et la mise à la terre doivent être conformes au Code national de l'électricité – ANSI/NFPA 70 (É.-U.) – et au Code canadien de l'électricité – CSA C22.1 – partie 1 (Canada).
13. N'utilisez qu'avec une fiche ou une rallonge mise à la terre munie de trois broches.
14. Ne déplacez pas l'appareil, ne lui touchez pas et n'essayez pas d'en faire l'entretien lorsqu'il est chaud.
15. Utilisez-le uniquement en conformité avec les codes, les ordonnances et les exigences de la province, de l'État ou de la municipalité concernés.

INSTRUCTIONS DE FONCTIONNEMENT

DÉBALLAGE

1. Retirez l'appareil de chauffage de la boîte.
2. Enlevez tout le matériel de protection installé sur l'appareil pour le transport.
3. Vérifiez soigneusement tout dommage qu'aurait pu subir l'appareil de chauffage pendant l'expédition. Si vous constatez quelque dommage, avisez immédiatement le fabricant au 1 800 251-0001.

ASSEMBLAGE (Pour modèles de 125 000, 175 000 et 210 000 BTU/h uniquement, voir la figure 1, page 8.)

Les roues et les poignées se trouvent dans la boîte avec les pièces servant à l'assemblage. Les roues, l'essieu et les pièces servant à l'assemblage se trouvent dans un emballage. Les outils nécessaires sont une clé de 5/16 po, une clé ou une clé à molette de 3/8 po et une pince ordinaire.

1. Assemblez les roues sur leur cadre de support de la façon suivante :
 - a. Insérez l'une des goupilles fendues dans le trou situé au bout de l'essieu.
 - b. Insérez la grande rondelle sur l'essieu, à côté de la goupille fendue, puis la roue.
 - c. Insérez un séparateur sur l'essieu jusqu'à côté de la roue.
 - d. Insérez l'essieu partiellement assemblé dans le cadre de support des roues.
 - e. Insérez un séparateur sur l'essieu jusqu'à côté du support de roue.
 - f. Insérez la roue sur l'essieu, puis la grande rondelle et fixez-les en place avec l'autre goupille fendue.
 - g. Installez les capuchons sur les grandes rondelles pour terminer l'assemblage des roues.
2. Placez l'appareil de chauffage sur le cadre de support des roues, le côté sortie opposé aux roues.
3. À l'aide des huit écrous et boulons, fixez les poignées au dessus de la bride du réservoir. Les boulons traverseront les poignées, la bride du réservoir et le cadre de support des roues. Vissez les écrous à la main et ne les serrez pas avant qu'ils ne soient tous vissés.
4. Serrez tous les écrous.
5. Fixez les guides de cordon aux poignées à l'aide de boulons et écrous # 4 et # 5.

AVANT LE FONCTIONNEMENT

1. Vérifiez soigneusement tout dommage qu'aurait pu subir l'appareil de chauffage pendant l'expédition. Si vous constatez des dommages, avisez *immédiatement* le fabricant au 1 800 251-0001.
2. Respectez toutes les « Précautions ».
3. Remplissez le réservoir de kérosène propre. Dans des conditions de froid intense, il est possible que de la condensation se forme dans le réservoir. Il est donc recommandé d'ajouter une cuillère à table de liquide antigivrant par 4 litres (1 gallon) de combustible. Utilisez au moins 8 litres (2 gallons) de combustible lors du remplissage du réservoir. Assurez-vous que l'appareil de chauffage est de niveau et que le réservoir ne déborde pas. Servez-vous d'un entonnoir ou d'un contenant muni d'un long bec verseur.

IMPORTANT : Avant de remplir le réservoir la première fois ou après des périodes d'entreposage prolongées, enlevez-en la condensation.

4. Placez l'appareil de chauffage à une distance sécuritaire des matériaux combustibles. Les modèles 50 et 75 ne sont pas conçus pour être utilisés sur des planchers de

bois ou d'autres matériaux combustibles. Lors de son fonctionnement, l'appareil de chauffage doit reposer sur un matériau isolant adéquat d'au moins 2,5 cm (1 po) d'épaisseur et dépassant l'appareil d'au moins 90 cm (3 pi) ou plus de tous les côtés.

DÉMARRAGE DE L'APPAREIL

1. **HS50K** : Branchez le câble d'alimentation dans une prise mise à la terre de 115 V, 60 Hz, 1 Ø.
HS75KT, HS125KT, HS175KT et HS210KT : Réglez le thermostat au minimum et assurez-vous que l'interrupteur est à « OFF ». Branchez le cordon de l'appareil de chauffage dans une prise mise à la terre de 115 V, 60 Hz, 1 Ø. Réglez le thermostat à sa position la plus élevée. Démarrez l'appareil de chauffage en plaçant l'interrupteur basculant à la position « ON » (Marche). Réglez le thermostat à la température désirée. L'appareil de chauffage s'arrêtera et redémarrera au besoin.
CONDITIONS POUR UTILISER UNE RALLONGE ÉLECTRIQUE : pour une rallonge jusqu'à 30,5 m (100 pi), conducteurs de calibre 16; pour une rallonge de 30,5 à 61 m (101-200 pi), conducteurs de calibre 14.

Pour tous les modèles :

- Lorsque la température est inférieure à -12 °C (10 °F), le démarrage sera facilité si l'on met un doigt sur l'orifice de ventilation de la vis de réglage de pression jusqu'à ce que l'appareil de chauffage démarre.
- Cet appareil est équipé d'un disjoncteur intégré à l'interrupteur marche-arrêt. Si l'appareil ne démarre pas, placez l'interrupteur à « OFF », attendez 5 minutes et placez-le à « ON ».

ARRÊT DE L'APPAREIL

1. **HS50K** : Débranchez l'appareil.
HS75KT, HS125KT, HS175KT et HS210KT : Placez l'interrupteur à « OFF ». Pour un arrêt prolongé, débranchez l'appareil de chauffage de sa source d'alimentation.

REDÉMARRAGE APRÈS UN ARRÊT D'URGENCE (HS50K, HS75KT, HS125KT, HS175KT et HS210KT) Voir page 6.

HS50K : Débranchez l'appareil, attendez cinq minutes puis rebranchez l'appareil.

HS75KT, HS125KT, HS175KT et HS210KT : Placez l'interrupteur à « OFF », attendez 5 minutes puis démarrez l'appareil.

ENTRETIEN ET ENTREPOSAGE

AVERTISSEMENT. Pour éviter toute blessure, débranchez l'appareil de chauffage de la prise murale avant d'en effectuer l'entretien. Pour optimiser le fonctionnement et éviter les problèmes, effectuez régulièrement les inspections, le nettoyage et l'entretien suivants.

RÉGLAGE DE PRESSION DE LA POMPE

En raison des variations de viscosité des combustibles et de l'usure normale des pièces, il peut devenir nécessaire de régler la pression de la pompe.

POUR RÉGLER LA PRESSION :

1. Remplissez le réservoir.
2. Démarrez l'appareil.
3. Repérez la vis du régulateur de pression de combustible (# 26 de la vue éclatée). Le vis d'ajustage de pression est trouvée à l'arrière du chauffage, dans l'habitation de filtre à air 9la vis d'ajustage emboîtée environ 10 position d'heure).
4. La prise de courant directement sous la vis d'ajustage peut

être enlevée pour l'installation d'un indicateur de pressions. Ce n'est pas une deuxième vis d'ajustage.

5. À l'aide d'un tournevis plat, serrez la vis pour augmenter la pression ou desserrez-la pour réduire la pression. Les pressions nominales sont indiquées dans le tableau des spécifications à la page 3 du Guide d'utilisation et instructions de fonctionnement.
6. Pour une efficacité maximale, le cône avant de la chambre de combustion doit être rouge cerise sans présenter de taches foncées, et la flamme ne doit pas se prolonger au-delà du cône.

SYMPTÔMES DE RÉGLAGE DE PRESSION INCORRECT

Problème : L'appareil ne produit pas une flamme forte et homogène.

L'appareil émet de la fumée et éjecte du combustible brut.

Le cône avant ne devient pas rouge cerise.

Cause : La pression est trop faible.

Serrez la vis de réglage pour augmenter la pression de la pompe.

Problème : La flamme dépasse l'extrémité du tube de sortie.

Cause : La pression est trop forte.

Desserrez la vis pour réduire la pression de la pompe.

PROGRAMME QUOTIDIEN

1. GÉNÉRAL. Faites une inspection visuelle générale de l'appareil de chauffage pour déceler les pièces endommagées ou desserrées. Inspectez les boulons et les écrous pour vous assurer que les vibrations et les manipulations brusques ne les ont pas desserrés. Les pièces endommagées doivent être réparées ou remplacées avant d'utiliser à nouveau l'appareil de chauffage. Vérifiez si l'appareil fonctionne normalement (consultez la section « Réparation » pour une description du fonctionnement normal).
2. FILTRES. Les filtres à air et à combustible doivent être propres pour assurer l'équilibre du mélange air-combustible. À défaut de quoi, l'odeur augmentera et l'appareil de chauffage démarrera difficilement. Ne faites pas fonctionner l'appareil sans les filtres. Si nécessaire, nettoyez les filtres tel qu'il est décrit aux sections « Programme 500 heures » et « Programme annuel ».

PROGRAMME 500 HEURES

1. FILTRE D'ADMISSION D'AIR. Enlevez le filtre et lavez-le à l'aide d'un détergent doux. Séchez-le à fond et remettez-le en place. Ne huilez pas l'élément filtrant. Si vous utilisez l'appareil dans un endroit contenant beaucoup de poussières et de saletés, nettoyez le filtre aussi souvent que requis (aux 50 heures environ).
2. ENLÈVEMENT DE LA POUSSIÈRE. Nettoyez l'appareil de chauffage deux fois par saison (plus souvent dans les endroits poussiéreux). Enlevez la poussière accumulée sur le transformateur, le brûleur, le moteur et les pales du ventilateur à l'aide d'un jet d'air comprimé. Essuyez les surfaces avec un chiffon sec et propre. Inspectez ces endroits pour vous assurer que toute matière étrangère a été enlevée, particulièrement autour du brûleur et de la zone de combustion.
3. CELLULE AU CADMIUM. Nettoyez la partie vitrée de la cellule au cadmium à l'aide d'un chiffon doux et sec.
4. GICLEUR. L'accumulation de saleté de combustible et de carbone

causée par l'aube d'entrée obstruera éventuellement les conduits du gicleur et entraînera une diminution du débit d'air et de combustible. La pression augmentera graduellement, ce qui déséquilibrera le mélange air-combustible et produira un surplus de fumée et d'odeur. Dans un tel cas, remplacez le gicleur.

5. RÉSERVOIR DE COMBUSTIBLE. Nettoyez-le deux fois par saison (au cours des périodes d'utilisation intensive, nettoyez-le deux fois par mois). Rincez et vidangez le réservoir à l'aide de mazout propre.

PROGRAMME ANNUEL

1. FILTRE DE SORTIE D'AIR. Enlevez le filtre de sortie d'air et frappez-en doucement le côté sale sur un objet dur pour enlever les saletés. N'utilisez pas d'air comprimé ni de liquide pour nettoyer le filtre. Remplacez le filtre propre dans son réceptacle dans la position où il était. Si le filtre paraît extrêmement sale, remplacez-le par un autre du même type. En remettant le couvercle du filtre en place, assurez-vous que le joint d'étanchéité est solidement en place et que les vis du couvercle sont assez serrées pour empêcher des fuites d'air.
2. FILTRE À COMBUSTIBLE. Enlevez le filtre de la canalisation de combustible et dirigez de l'air comprimé à travers le filtre dans le sens contraire du débit du combustible. Veuillez porter des lunettes protectrices en utilisant de l'air comprimé.
3. CANALISATIONS D'AIR ET DE COMBUSTIBLE. Si ces canalisations sont enlevées au cours du nettoyage, assurez-vous de bien serrer les raccords avant de faire fonctionner l'appareil.

ENTREPOSAGE

Entreposez l'appareil de chauffage dans un endroit sec exempt de vapeurs et de poussières.

À la fin de chaque saison, nettoyez l'appareil de chauffage tel qu'indiqué dans la section ENTRETIEN. Rincez et vidangez le réservoir à l'aide de combustible propre. Le fabricant recommande de remplir complètement le réservoir de combustible avant un entreposage prolongé pour diminuer les risques de condensation.

ENTRETIEN

Un appareil de chauffage qui a été modifié ou qui ne fonctionne pas correctement risque d'être une cause de dangers.

Lorsque l'appareil de chauffage fonctionne normalement :

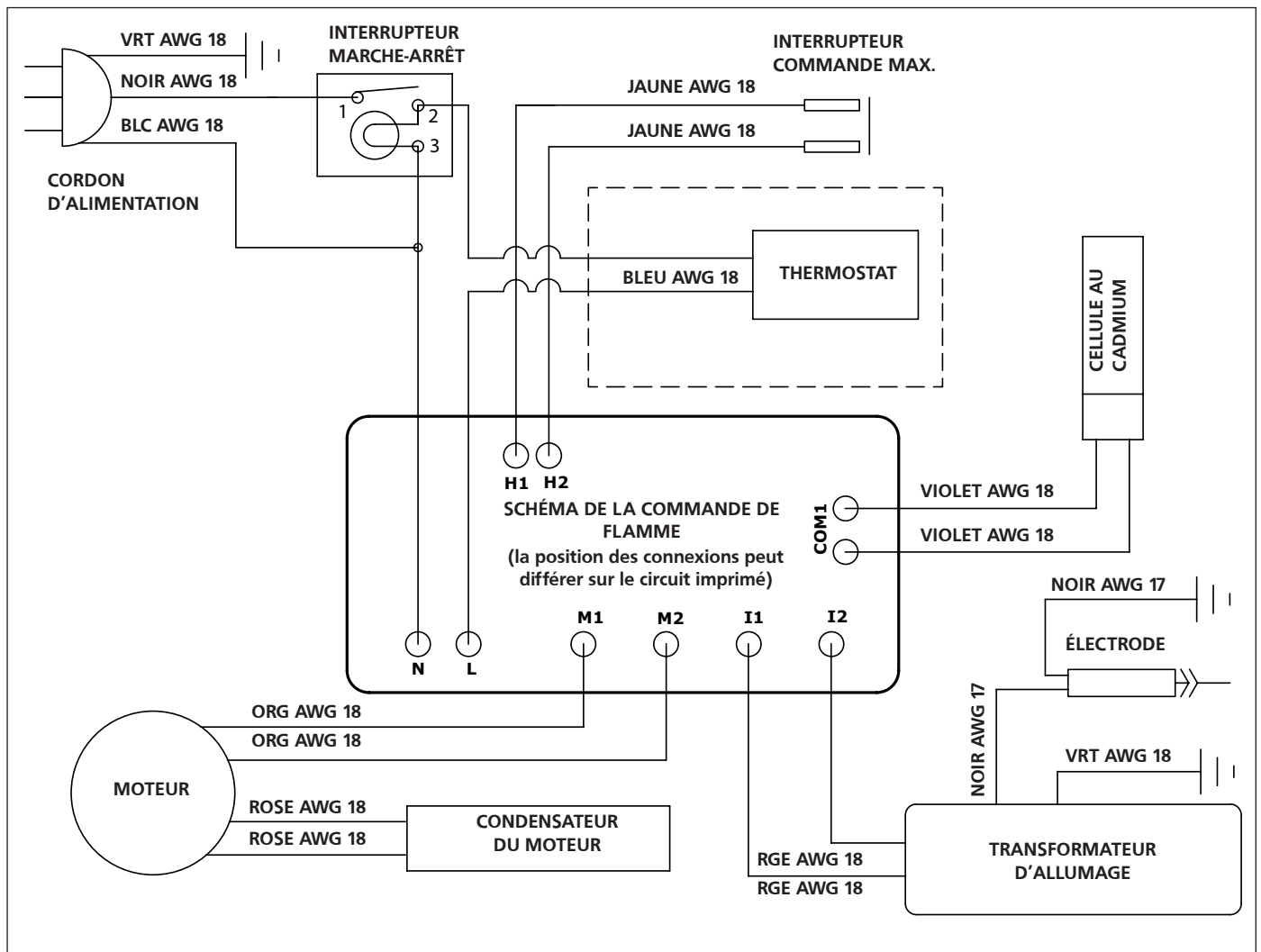
- * La flamme reste dans l'appareil de chauffage.
- * La flamme est vraiment jaune.
- * Il n'y a pas de forte odeur désagréable, pas de sensation de brûlure aux yeux, ni de malaise physique général.
- * Il n'y a pas de fumée ni de suie à l'intérieur ou à l'extérieur de l'appareil de chauffage.
- * Il ne se produit pas d'arrêts imprévus ou inexplicables de l'appareil.

DIAGNOSTIC ET DÉPANNAGE APRÈS UN ARRÊT D'URGENCE

Ces instructions s'appliquent aux modèles HS50K, HS75KT, HS125KT, HS175KT, HS210KT

SYMPTÔME	DÉPANNAGE
Circuit ouvert du contacteur de commande maximale	1) Assurez-vous que l'appareil est refroidi, placez l'interrupteur à « OFF », attendez 5 minutes et redémarrez l'appareil.
Présence d'étincelles et appel de flamme, mais le moteur ne fonctionne pas ou tourne à très bas régime	<ol style="list-style-type: none"> 1) Vérifiez le câblage vers le moteur (selon le schéma de câblage du présent guide). 2) Assurez-vous que le bouchon du manomètre est bien en place et qu'il n'est pas endommagé. 3) Réglez la pression pour assurer le bon fonctionnement de l'appareil de chauffage selon les spécifications du présent guide. 4) Débranchez l'appareil, puis tournez le ventilateur dans le sens horaire pour vérifier si le moteur tourne librement. 5) Retirez le boîtier du filtre à air du moteur et vérifiez si le rotor de la pompe présente des dommages. Au besoin, remplacez le rotor. 6) Si le câblage est adéquat, que le rotor est en bon état et que le moteur ne tourne pas librement, remplacez le moteur ou le boîtier d'alimentation. 7) Si le problème persiste, remplacez l'ensemble commande de flamme. 8) Vérifiez si un arc électrique se produit entre l'électrode et le cylindre de combustion. 9) Vérifiez la continuité de la cellule au cadmium.
Aucune étincelle	<ol style="list-style-type: none"> 1) Assurez-vous que la longueur et le calibre de la rallonge électrique sont conformes aux spécifications (voir page 4). 2) Vérifiez le câblage vers l'allumeur (selon le schéma de câblage du présent guide). 3) Vérifiez l'écart entre les pointes d'électrode (2,3 - 3 mm). 4) S'il n'y a toujours pas d'étincelle, remplacez l'allumeur. 5) Remplacez l'ensemble commande de flamme.
Fonctionnement anormal du moteur – Le moteur surchauffe ou s'arrête	<ol style="list-style-type: none"> 1) Régime moteur trop bas (le moteur doit tourner à 3 450 tr/min) – Remplacez le moteur. 2) Débranchez l'appareil, puis tournez le ventilateur dans le sens horaire pour vérifier si le moteur tourne librement. 3) Retirez le boîtier de filtre à air du moteur et vérifiez si le rotor de la pompe présente des dommages. Au besoin, remplacez le rotor. 4) Si le câblage est adéquat, que le rotor est en bon état et que le moteur ne tourne pas librement, remplacez le moteur ou le boîtier d'alimentation. 5) Remplacez l'ensemble commande de flamme.
La flamme n'est pas détectée	<ol style="list-style-type: none"> 1) Vérifiez le câblage vers la cellule au cadmium (selon le schéma de câblage du présent guide). 2) Nettoyez l'élément photoélectrique de la cellule au cadmium. <ol style="list-style-type: none"> a) Dégagez la cellule au cadmium de son support. b) Dégagez l'élément photoélectrique du caoutchouc noir du boîtier de la cellule en poussant sur les 2 fils violets. c) Nettoyez l'élément photoélectrique avec un chiffon doux et de l'alcool à friction. d) Remettez l'élément photoélectrique dans le boîtier de la cellule au cadmium, puis réinstallez le support. e) Vérifiez le fonctionnement de l'appareil de chauffage. 3) Si l'appareil ne fonctionne toujours pas, remplacez la cellule au cadmium. 4) Remplacez l'ensemble commande de flamme.
Défaillance de la commande de flamme	<ol style="list-style-type: none"> 1) Vérifiez le câblage de l'appareil de chauffage (selon le schéma de câblage du présent guide). 2) Remplacez l'ensemble commande de flamme.

SCHÉMA DE CÂBLAGE



La liste des pièces et le schéma de câblage présentent l'appareil de chauffage tel qu'il a été construit. N'utilisez pas un appareil de chauffage qui diffère de ce qui est illustré. Le rendement de l'appareil de chauffage dépend du réglage de la pression d'air. Si vous avez un doute au sujet de la pression d'air, faites-la vérifier.

Si l'appareil de chauffage ne fonctionne *pas* correctement, il doit être réparé *uniquement* par un technicien qualifié.

LISTE DES PIÈCES

Réf.	# de pièce	# de pièce	# de pièce	# de pièce	# de pièce	Description	Réf.	# de pièce	# de pièce	# de pièce	# de pièce	# de pièce	Description
	HS50K	HS75KT	HS125KT	HS175KT	HS210KT			HS50K	HS75KT	HS125KT	HS175KT	HS210KT	
1	21036	21036	21036	21036	21036	Cordon d'alimentation	31	26959	26959	26959	26959	26959	Bouchon de réservoir
2	21676	22213	22214	22214	22214	Ensemble réservoir	32	26910	26910	26910	26910	26910	Joint de bouchon
3	****	****	22216	21783	22099	Bouclier thermique	34	27790	27790	28739	40975	40975	Adaptateur gicleur
4	26960	26967	26975	26975	26975	Boîtier d'alimentation	35	27421	28740	26885	26866	26866	Ventilateur
5	21686	24343	24346	24346	24346	Canalisation du combustible	36	22142	22142	22142	22142	22142	Allumeur
6	21685	28734	21771	21768	21771	Grille	37	F227416	F221878	F221879	F221889	F221891	Embout entrée d'air
7	24011	24011	24011	24011	24011	Support de cellule au cadmium	38	26223	26223	26223	26223	26223	Bague réd. tension
8	28779	28779	28780	28780	28780	Filter à combustible	39	F221857	F221857	F221857	F221857	F221857	Électrode
10	21050	21075	21125	21175	22127	Coque inférieure	40	21820	21820	21820	21820	21820	Couv. isolé d'électrode
11	22050	22075	22125	22175	22102	Coque supérieure	42	****	21823	21823	21823	21823	Bouton thermostat
12	23704	24332	24333	22334	24333	Support de moteur	43	****	21734	21734	21734	21734	Thermostat
13	****	28788	28735	28735	28735	Condensateur de démarrage	44	21872	21872	21872	21872	21872	Interrupteur
14	23725	23725	24345	24345	24345	Canalisation d'air	45	****	28791	28778	28778	28778	Jauge à combustible
15	26225	26225	26225	26225	26225	Bague pression	46	21829	21889	21825	21825	21825	Panneau de commande
16	21794	21794	26901	22105	22105	Commande à maximum	47	26887	26887	26888	26888	26888	Panneau de comm., arrière
17	F226831	F226831	F226831	F226831	F226831	Ensemble de rotor - Rotor de pompe à air avec ailettes - Raccord de nylon pour pompe à air	48	27094	27094	****	****	****	Serre-câble poignée
							49	27095	27095	****	****	****	Poignée
							*	24171	24171	****	****	****	Plaque de gicleur
21	****	****	22257	22257	22257	Tête de brûleur	*			26227	26227	26227	Bague pression
22	F221887	F221887	F221887	F221887	F221887	Ensemble de filtre	*	27429	27429	27429	27429	27429	Bague de retenue ext.
23	21813	21813	21813	21813	21813	Joint de filtre de sortie	*	28745	28745	****	****	****	Bague filtre combustible
24	21814	21814	21814	21814	21814	Filter de sortie	*	****	22146	22146	22146	22146	Support de thermostat
25	21815	21815	21815	21815	21815	Filter d'entrée	*	****	26070	26070	26070	26070	Boucle étrier
26	F266842	F266842	F266842	F266842	F266842	Ensemble de réglage de pompe - Bouchon en nylon - Capuchon de vis de réglage - Bille de réglage - Ressort de réglage	*	Pièces non illustrées dans le schéma.					
27	21866	21866	21866	21866	21866	Commande de flamme							
28	21816	21816	21816	21816	21816	Support de commande de flamme							
29	F226865	F226865	F226865	F226865	F226865	Capteur de flamme							
30	22215	22215	22233	22234	22107	Cyl. chambre combustion							

LISTE DES PIÈCES

Réf.	# de pièce	# de pièce	# de pièce	Description
	HS125KT	HS175KT	HS210KT	
1	21873	21873	21873	Poignée, avant
2	21874	21874	21874	Poignée, arrière
3	21875	21875	21875	Cadre de support des roues
4	21876	21876	21876	Essieu
5	40859	40859	40859	Roues
6	28749	28749	28749	Grande rondelle
7	28750	28750	28750	Goupille fendue
8	28751	28751	28751	Chapeau de moyeu
9	28754	28754	28754	Support de rallonge électr.
10	21897	21897	21897	Séparateur
*	28787	28787	28787	Ensemble de quincaillerie

* Article non présenté dans le schéma.

Assemblage de la poignée et des roues – Modèles HS125KT, HS175KT et HS210KT seulement.

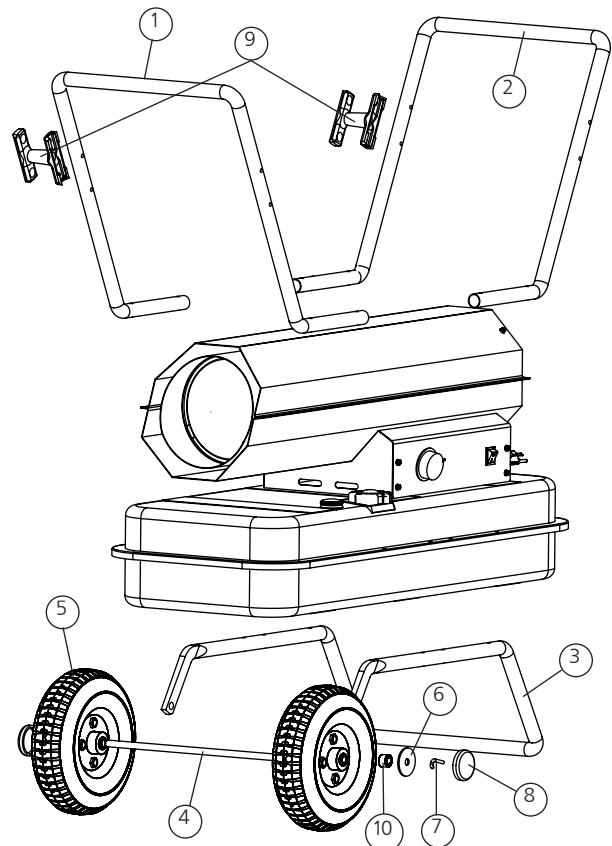
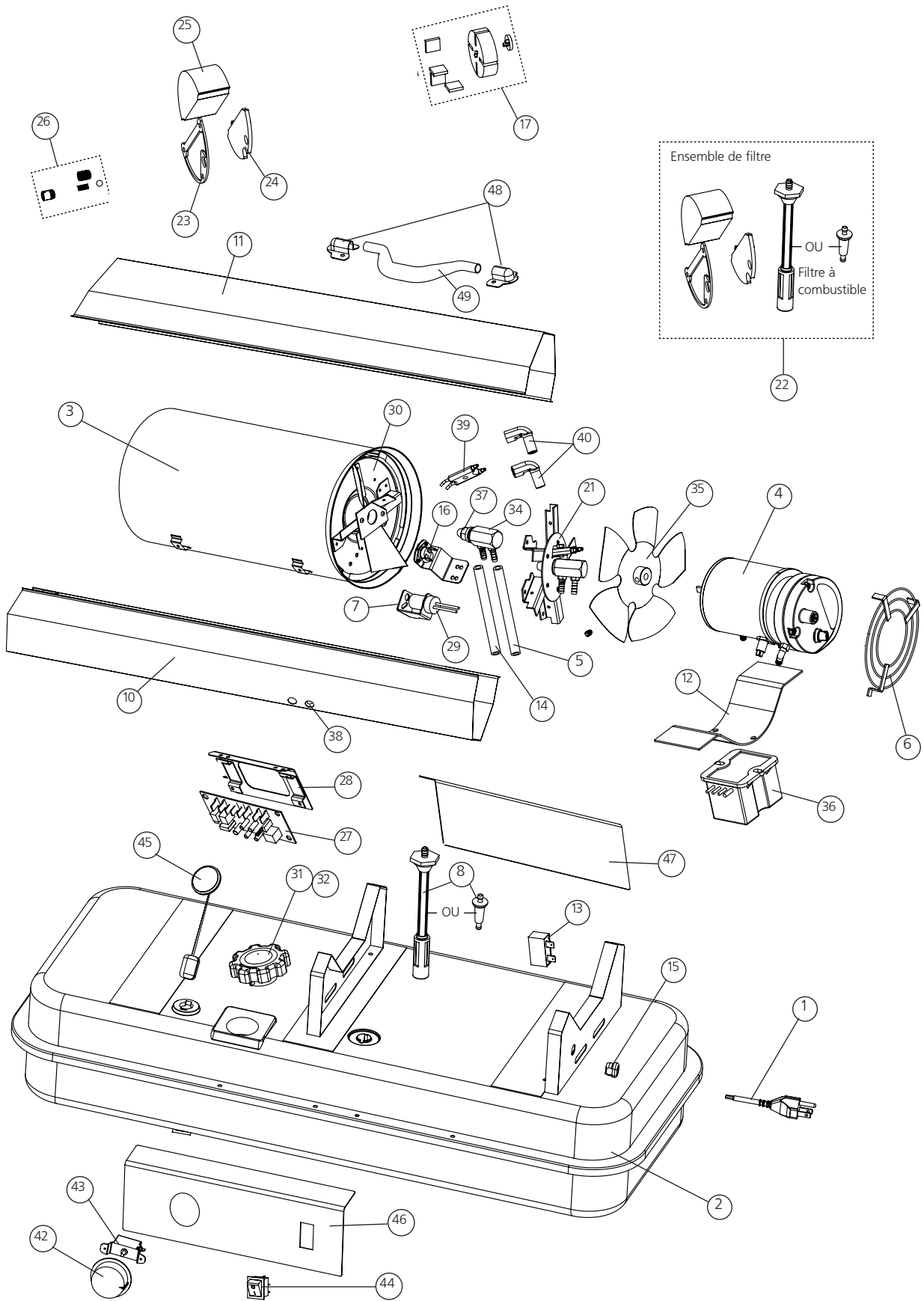


Figure 1.

Appareil de chauffage à air pulsé au kérosène • Modèles HS50K, HS75KT, HS125KT, HS175KT, HS210KT



PAGE LEFT INTENTIONALLY BLANK



GUIDE D'UTILISATION ET INSTRUCTIONS DE FONCTIONNEMENT

Modèle #

HS50K, HS75KT,
HS125KT, HS175KT,
HS210KT



AVERTISSEMENT :

N'UTILISEZ QUE LES PIÈCES DE RECHANGE DU FABRICANT. L'UTILISATION D'AUTRES PIÈCES RISQUE DE CAUSER DES BLESSURES ET LA MORT. LES PIÈCES DE REMPLACEMENT NE SONT OFFERTES QUE PAR LE FABRICANT ET DOIVENT ÊTRE INSTALLÉES PAR UNE ENTREPRISE SPÉCIALISÉE.

INFORMATIONS SUR LA COMMANDE DE PIÈCES :

ACHAT : On peut se procurer des accessoires auprès de tous les détaillants locaux HEATSTAR by ENERCO ou directement auprès du fabricant.

POUR OBTENIR DES INFORMATIONS SUR LE SERVICE

Veuillez appeler sans frais le 866-447-2194
www.heatstarbyenerco.com

Nos heures d'ouverture sont de 8 h 00 à 17 h HNE, du lundi au vendredi.

Veuillez indiquer le numéro du modèle, la date d'achat et la description du problème dans toutes vos communications avec nous.

GARANTIE LIMITÉE

Enerco Technical Products, Inc. garantit ses appareils de chauffage et ses accessoires contre les défauts de matériel et de main-d'œuvre pour une période de un an à partir de la date d'achat. Enerco Technical Products, Inc. réparera ou remplacera ce produit sans frais s'il est démontré qu'il est devenu défectueux pendant la période de garantie et qu'il est retourné à Enerco Technical Products, Inc. aux frais de l'acheteur avec une preuve d'achat, durant la période de garantie.

Mr. Heater Inc. se réserve le droit de modifier en tout temps, sans préavis ni obligation, les couleurs, spécifications, accessoires, matériaux et modèles.

ENREGISTREMENT DE PRODUIT: Merci pour votre achat.
Connectez-vous s'il vous plait à <http://www.egiregistration.com> pour enregistrer votre produit.

HEATSTAR by ENERCO, 4560 W. ST 160, CLEVELAND, OHIO 44135
866-447-2194

© 2015, Enerco Technical Products, Inc. Tous droits réservés



UL733, CSA B140.8, CSA B140.9.3



INSTRUCCIONES DE USO Y MANUAL DEL USUARIO

Modelos #

HS50K, HS75KT,
HS125KT, HS175KT,
HS210KT

LEA CUIDADOSAMENTE LAS INSTRUCCIONES: Lea y siga todas las instrucciones. Consérvelas en un lugar seguro para futura referencia. No permita que nadie que no haya leído estas instrucciones arme, encienda, ajuste o use el calentador.



CALENTADOR DE KEROSENO A AIRE FORZADO

⚠ ADVERTENCIA: Si no se siguen al pie de la letra las instrucciones de este manual, podría producirse un incendio o una explosión que provocaría daños materiales, lesiones o muertes.

- No almacene ni utilice gasolina ni ningún otro vapor ni líquido inflamable cerca de este ni de ningún otro artefacto.
- El mantenimiento debe ser realizado por una agencia de reparación calificada.

Este calentador portátil no tiene una fuente propia de ventilación. Utiliza el aire (oxígeno) del área en la cual se emplea. Debe suministrarse el aire necesario para la ventilación y la combustión. Consulte la página 3.



UL733, CSA B140.8, CSA B140.9.3

ADVERTENCIA:

⚠ SU SEGURIDAD ES IMPORTANTE PARA USTED Y PARA LOS DEMÁS. POR ELLO, LEA ESTAS INSTRUCCIONES ANTES DE UTILIZAR EL CALENTADOR.

ADVERTENCIA GENERAL DE PELIGRO:

- ⚠ EL NO CUMPLIR CON LAS PRECAUCIONES E INSTRUCCIONES QUE VIENEN CON ESTE CALENTADOR PUEDE CAUSAR LA MUERTE, LESIONES GRAVES Y PÉRDIDAS Y DAÑOS MATERIALES DERIVADOS DEL PELIGRO DE INCENDIO, EXPLOSIÓN, QUEMADURAS, ASFIXIA, ENVENENAMIENTO CON MONÓXIDO DE CARBONO, Y/O DESCARGAS ELÉCTRICAS.
- ⚠ SOLO LAS PERSONAS QUE ENTIENDAN Y PUEDAN SEGUIR LAS INSTRUCCIONES DEBEN USAR O MANTENER ESTE CALENTADOR.
- ⚠ SI NECESITA AYUDA O INFORMACIÓN ACERCA DEL CALENTADOR, COMO MANUALES DE INSTRUCCIONES, ETIQUETAS, ETC., PÓNGASE EN CONTACTO CON EL FABRICANTE.

ADVERTENCIA:

⚠ **EL MONÓXIDO DE CARBONO PUEDE CAUSARLE LA MUERTE.**
 UTILIZAR UN CALENTADOR PORTÁTIL A GAS PARA ACAMPAR DENTRO DE UNA CARPA, CASA RODANTE, CAMPER, VEHÍCULO, REFUGIO O CUALQUIER OTRO LOCAL CERRADO PUEDE PRODUCIR MONÓXIDO DE CARBONO LETAL.

ADVERTENCIA:

⚠ NO APTO PARA USAR EN EL HOGAR NI EN CASAS RODANTES.

ADVERTENCIA:

⚠ PELIGRO DE INCENDIO, QUEMADURAS, INHALACIÓN Y EXPLOSIÓN. MANTENGA LOS COMBUSTIBLES SÓLIDOS, TALES COMO MATERIALES DE CONSTRUCCIÓN, PAPEL O CARTÓN, A UNA DISTANCIA SEGURA DEL CALENTADOR. COMO SE RECOMIENDA EN LAS INSTRUCCIONES, NUNCA USE EL CALENTADOR EN ESPACIOS QUE CONTENGAN O PODRÍAN CONTENER COMBUSTIBLES VOLÁTILES O GASEOSOS, NI PRODUCTOS COMO GASOLINA, SOLVENTES, DILUYENTES DE PINTURA, PARTÍCULAS DE POLVO O PRODUCTOS QUÍMICOS DESCONOCIDOS.

ADVERTENCIA:

El estado de California requiere la siguiente advertencia:
 UNO DE LOS ELEMENTOS GENERADOS POR LA COMBUSTIÓN AL USAR ESTE EQUIPO ES MONÓXIDO DE CARBONO, UN PRODUCTO QUÍMICO QUE DE ACUERDO CON EL ESTADO DE CALIFORNIA PRODUCE CÁNCER Y DEFECTOS DE NACIMIENTO (U OTROS DAÑOS REPRODUCTIVOS).

ESTE PRODUCTO CONTIENE SUSTANCIAS QUÍMICAS QUE DE ACUERDO CON EL ESTADO DE CALIFORNIA PRODUCEN CÁNCER Y DEFECTOS DE NACIMIENTO U OTROS DAÑOS REPRODUCTIVOS.

⚠ ADVERTENCIA:

- NO UTILICE GASOLINA, NAFTA NI COMBUSTIBLES VOLÁTILES.
- APAGUE EL CALENTADOR ANTES DE AGREGAR COMBUSTIBLES.
- SIEMPRE LLÉNELO EN EL EXTERIOR LEJOS DE LAS LLAMAS EXPUESTAS.
- NO UTILICE UNA FUENTE DE COMBUSTIBLE EXTERNA.
- NO UTILICE EL CALENTADOR DONDE PUEDA HABER LÍQUIDOS O VAPORES INFLAMABLES.
- NO ENCIENDA EL CALENTADOR CUANDO LA CÁMARA ESTÉ CALIENTE.
- NO ENCIENDA EL CALENTADOR CUANDO SE ACUMULE COMBUSTIBLE EN EXCESO EN LA CÁMARA.
- NO COLOQUE LOS UTENSILIOS DE COCINA EN LA PARTE SUPERIOR DEL CALENTADOR.
- ENCHUFE EL CABLE ELÉCTRICO EN UN TOMACORRIENTE DE TRES PATAS CORRECTAMENTE CONECTADO A TIERRA.

⚠ HS50K Y HS75KT ADVERTENCIA:

No adecuado para el uso en pisos de madera u otros materiales combustibles. Cuando usa el calentador debe colocarlo sobre un material aislante adecuado de al menos 1 pulgada de espesor y que sobresalga al menos 3 pies del calentador en todas las direcciones.

CONTENIDOS

ADVERTENCIAS..... 2

ESPECIFICACIONES DEL CALENTADOR 3

PRECAUCIONES DE UTILIZACIÓN 3

PRECAUCIONES DE SEGURIDAD..... 3

INSTRUCCIONES DE USO 3

MANTENIMIENTO, ALMACENAMIENTO Y REPARACIÓN 4

RESOLUCIÓN DE PROBLEMAS..... 6

DIAGRAMA DE CABLEADO..... 7

LISTA DE PARTES..... 8











DIAGRAMA EXTENDIDO 9

GARANTÍA.....10

INSTRUCCIONES PARA ORDENAR REPUESTOS10

ESPECIFICACIONES

CUIDADO: certificación CSA para utilizar solo con el combustible a base de queroseno # 1-K.

Modelo	HS50K	HS75KT	HS125KT	HS175KT	HS210KT
Tasa de consumo:	50,000 Btu/hr (14.7 kW)	75,000 Btu/hr (22 kW)	125,000 Btu/hr (37 kW)	175,000 Btu/hr (51 kW)	210,000 Btu/hr (61.5 kW)
Tasa de consumo de combustible:	0.37 gal/hr (1.4 l/h)	0.55 gal/hr (2.1 l/h)	0.96 gal/hr (3.5 l/h)	1.3 gal/hr (5.0 l/h)	1.6 gal/hr (6.0 l/h)
Entrada de corriente:	115 V, 60 Hz, 3.5 a	115 V, 60 Hz, 4 a	115 V, 60 Hz, 5.5 a	115 V, 60 Hz, 5.5 a	115 V, 60 Hz, 5.5 a
Protección de línea:	10 amperios	10 amperios	20 amperios	20 amperios	20 amperios
Voltaje de funcionamiento mínimo:	110 V	110 V	110 V	110 V	110 V
Configuración de la presión:	3.8 psig (26.2 kPa)	4.2 psig (29 kPa)	5.1 psig (35.2 kPa)	6.8 psig (46.9 kPa)	8.2 psig (56.5 kPa)
Temperatura máxima de salida:	1300 °F (704 °C)	1300 °F (704 °C)	1300 °F (704 °C)	1300 °F (704 °C)	1300 °F (704 °C)
Capacidad del tanque de combustible:	4 galones (15.1 l)	6 galones (22.7 l)	14 galones (53 l)	14 galones (53 l)	14 galones (53 l)
Encendido:	Chispa directa, constante	Chispa directa, constante	Chispa directa, constante	Chispa directa, constante	Chispa directa, constante
Generador de chispa:	Encendedor 13 kV, 10 ma	Encendedor 13 kV, 10 ma	Encendedor 13 kV, 10 ma	Encendedor 13 kV, 10 ma	Encendedor 13 kV, 10 ma
Control de seguridad principal:	Control del estado sólido	Control del estado sólido	Control del estado sólido	Control del estado sólido	Control del estado sólido
Certificación:	 	 	 	 	 

PRECAUCIONES DE UTILIZACIÓN

Este calentador es de queroseno de caldeo directo a aire forzado. Está diseñado para usarse principalmente en el calentador temporal de edificios en construcción, remodelación o reparación.

De caldeo directo quiere decir que todos los productos de la combustión ingresan al espacio que se calefacciona. Aunque este calentador funciona casi a un 100 % de eficiencia de combustión, produce pequeñas cantidades de monóxido de carbono. El monóxido de carbono (CO) es tóxico. El CO puede acumularse en el lugar que se calienta y si no se establecen las condiciones de ventilación adecuadas puede resultar mortal. Los síntomas de ventilación inadecuada son:

- dolor de cabeza
- mareos
- ardor en los ojos y en la nariz
- náuseas
- boca reseca o dolor de garganta

Asegúrese de seguir las recomendaciones sobre las condiciones de ventilación que se incluyen en esta sección de precauciones de seguridad.

Aire forzado significa que un soplador o ventilador impulsa el aire a través del calentador. La combustión depende de este flujo de aire para realizarse correctamente, por tanto, el calentador no debe modificarse, alterarse ni utilizarse si se le han sustraído o le faltan piezas. Asimismo, no se deben alterar ni modificar los sistemas de seguridad para utilizar el calentador.

Cuando deba utilizarse el calentador en presencia de otras personas, el usuario será responsable de poner a los presentes al corriente de las precauciones e instrucciones de seguridad, y de los posibles peligros.

PRECAUCIONES DE SEGURIDAD

1. Recomendado para usar con combustible a base de queroseno # 1-K. Probado en la fábrica para utilizarse con queroseno # 2-K, diesel # 1 o # 2, aceite de combustible # 1 o # 2, o combustible JP8 Jet A, y también pueden usarse estos combustibles. Nunca utilice gasolina, aceite drenado del cárter, nafta, diluyente de pintura, alcohol o cualquier otro combustible altamente inflamable.
2. Revise cuidadosamente si el calentador presenta daños. NO use un calentador dañado.
3. NO modifique el calentador ni lo use si su configuración original ha sido modificada.
4. Solo para uso en interiores. No lo use expuesto a las condiciones climáticas.
5. Úselo en áreas bien ventiladas, deje una abertura de por lo menos 2 pies cuadrados (0.19 metros cuadrados) cerca del piso y 2 pies cuadrados (0.19 metros cuadrados) cerca del cielorraso

directamente hacia el exterior. Aumente las aberturas de aire como se indica para cada uno de los calentador adicionales.

6. Siempre mantenga los combustibles, como el papel o la madera, por lo menos a 8 pies (2.4 m) de distancia del tomacorriente del calentador y 3 pies (1.0 m) de la parte superior, los laterales y la entrada. Colóquelo a 10 pies (3.0 m) de cubiertas de plástico o lona y asegúrelas para evitar que se muevan.
7. Cuidado: Dadas las elevadas temperaturas de la superficie y del escape, tanto los adultos como los niños deben mantener la distancia adecuada para evitar quemaduras o la ignición de su ropa. No tocar. Mantener alejado de los niños, la ropa y el combustible.
8. Instale el calentador de forma tal que no esté directamente expuesto a salpicaduras de agua, lluvia o agua.
9. Nunca lo utilice en áreas generalmente habitadas ni donde pueda haber niños.
10. Úselo únicamente sobre una superficie nivelada y estable. (Modelos HS50K y HS75KT: consulte la advertencia sobre pisos de madera).
11. No lo utilice en redes de conductos. No restrinja las entradas ni las salidas.
12. Utilice únicamente con la alimentación de corriente especificada. La conexión eléctrica y a tierra debe cumplir con los requisitos del Código Eléctrico Nacional - ANSI/NFPA 70 (EE. UU.) y del Código Eléctrico Canadiense CSA C22.1, Primera parte (Canadá).
13. Utilice únicamente un cable de extensión o un receptáculo de 3 patas correctamente conectado a tierra.
14. No mueva, manipule ni ajuste el calentador mientras esté caliente o encendido.
15. Utilícelo únicamente de acuerdo con los requisitos, las ordenanzas y los códigos locales, estatales (provinciales) o nacionales.

INSTRUCCIONES DE USO

DESEMPACADO

1. Saque el calentador de la caja.
2. Quite todo el material de protección que pueda haberse colocado al calentador para realizar su envío.
3. Revise el calentador para determinar si sufrió daños durante el envío. Si descubre cualquier daño, comuníquese inmediatamente con el fabricante al 800-251-0001.

ENSAMBLAJE (para los modelos 125,000, 175,000 y 210,000 BTU/hr únicamente, consulte la figura 1 en la página 8).

Las ruedas y los mangos se encuentran en la caja de envío, junto con los accesorios de montaje. Las ruedas, el eje y los accesorios de montaje se encuentran en el paquete. Las herramientas requeridas son una llave de tuercas de 5/16", una llave abierta o ajustable de 3/8" y pinzas estándar.

1. Coloque las ruedas en el marco de soporte de ruedas de la siguiente manera:
 - a. Instale una de las chavetas en el orificio en uno de los extremos del eje.
 - b. Deslice la arandela grande, luego la rueda en el eje próximo a la chaveta.
 - c. Deslice el espaciador en el eje próximo a la rueda.
 - d. Deslice el eje parcialmente ensamblado a través del marco de soporte de la rueda.
 - e. Deslice el espaciador en el eje próximo al soporte de la rueda.
 - f. Deslice la rueda, luego la arandela grande en el eje y asegure con la chaveta restante.
 - g. Instale las tapas sobre las arandelas más grandes para terminar con el montaje de la rueda.
2. Coloque el calentador sobre el montaje del marco del soporte de la rueda con la salida del lado contrario de la rueda.
3. Utilice ocho tornillos y tuercas para fijar los mangos en la parte superior de la unión del tanque. Los tornillos atravesarán los mangos, la unión del tanque y el marco de soporte de la rueda. Instale las tuercas y ajústelas a mano solo hasta que todas estén instaladas.
4. Ajuste todas las tuercas.
5. Fije el protector del cable a los mangos con tornillos y tuercas # (4) y # (5).

PREPARATIVOS PARA EL USO

1. Revise el calentador para determinar si sufrió daños durante el envío. Si descubre alguno, comuníquese *inmediatamente* con el fabricante al 800-251-0001.
2. Siga todas las "precauciones".
3. Llene el tanque de combustible con queroseno limpio. Bajo condiciones climáticas extremadamente frías, se puede desarrollar la condensación en el tanque y se recomienda agregar una cucharada de anticongelante por cada galón (4 litros) de combustible que haya en el tanque. Cuando llene el calentador, use al menos 2 galones (8 litros) de combustible. Asegúrese de que el calentador esté nivelado y no lo llene de más. Utilice un embudo o una lata con un pico de llenado largo.

IMPORTANTE: Antes de llenar el tanque de combustible por primera vez o después de un almacenamiento prolongado, drénelo para quitar cualquier humedad o condensación.

4. Coloque el calentador a una distancia segura de los materiales combustibles. Los modelos 50 y 75 no son adecuados para usar en pisos de madera u otros materiales combustibles. Cuando utilice el calentador, debe colocarlo sobre un material aislante adecuado de por lo menos 1 pulgada de espesor y que se extienda 3 pies o más del calentador en todas las direcciones.

ENCENDIDO DEL CALENTADOR

1. **HS50K:** Enchufe el calentador en un tomacorriente con conexión a tierra de 115 V, 60 Hz, 1 Ø.
HS75KT, HS125KT, HS175KT y HS210KT: Gire el termostato a la configuración más baja y asegúrese de que el interruptor "On/Off" (Encendido/Apagado) esté en "Off" (Apagado). Enchufe el calentador en un tomacorriente con conexión a tierra de 115 V, 60 Hz, 1 Ø. Gire el termostato a la configuración más alta. Lleve el interruptor de frecuencia a la posición "On" (Encendido) (la luz significa que el interruptor se encuentra en la posición "ON") para encender el calentador. Ajuste el termostato a la configuración deseada. El calentador realizará ciclos de encendido/apagado a medida que se necesite calor.
REQUISITOS DEL CABLE DE EXTENSIÓN: hasta 100' (30.5 m), use un conductor CAE 16. 101' - 200' (30.5 - 61.0 m) use un conductor CAE 14.

Para todos los modelos:

- En condiciones climáticas frías (por debajo de los 10 °F), se puede mejorar el encendido si coloca un dedo sobre el orificio de ventilación de la tapa del tornillo de ajuste de la bomba hasta que se encienda el calentador.
- Esta unidad viene equipada con un circuito de interrupción.

El reinicio se encuentra integrado al interruptor "On/Off" (Encendido/Apagado). Si la unidad no se enciende, lleve el interruptor a la posición "Off" (Apagado), espere 5 minutos y lleve el interruptor a la posición "On" (Encendido).

APAGADO DEL CALENTADOR

1. **HS50K:** desenchufe el calentador de la fuente de alimentación.
HS75KT, HS125KT, HS175KT y HS210KT: Lleve el interruptor "On/Off" (Encendido/Apagado) a la posición "Off" (Apagado). Si el calentador permanecerá apagado durante un período prolongado, desconéctelo de la fuente de alimentación.

REINICIO LUEGO DEL APAGADO DE SEGURIDAD (HS50K, HS75KT, HS125KT, HS175KT y HS210KT) Consulte la página 6.

HS50K: desconecte la unidad. Espere 5 minutos. Conéctela nuevamente.

HS75KT, HS125KT, HS175KT y HS210KT: Lleve el interruptor a la posición "OFF" (Apagado) y espere 5 minutos. Reinicie.

MANTENIMIENTO Y ALMACENAMIENTO

ADVERTENCIA. Para evitar lesiones personales, desenchufe el calentador del tomacorriente de la pared antes de realizar la reparación.

Para lograr una mayor eficacia y reparación sin problemas, realice el siguiente mantenimiento, limpieza e inspecciones.

AJUSTE DE LA PRESIÓN DE LA BOMBA

Debido a las diversas viscosidades del combustible y al desgaste normal de los componentes, es posible que deba ajustar la presión de la bomba de este calentador. Procedimiento de ajuste:

PROCEDIMIENTO DE AJUSTE:

1. Remplissez le réservoir.
2. Démarrez l'appareil.
3. Repérez la vis du régulateur de pression de combustible (# 26 de la vue éclatée). El tornillo de ajusta de presión es localizado en el reverso del calentador, en el filtro de aire que aloja (tourillo de ajuste ranurdo aproximadamente a las 10 posición).
4. El enchufe directamente bajo el tornillo de ajuste puede ser quitado para la instalación de un manómetro. Esto no es un segundo tornillo de ajuste.
5. À l'aide d'un tournevis plat, serrez la vis pour augmenter la pression ou desserrez-la pour réduire la pression. Les pressions nominales sont indiquées dans le tableau des spécifications à la page 3 du Guide d'utilisation et instructions de fonctionnement.
6. Pour une efficacité maximale, le cône avant de la chambre de combustion doit être rouge cerise sans présenter de taches foncées, et la flamme ne doit pas se prolonger au-delà du cône.

AJUSTE DE PRESIÓN INADECUADO

Problema: el calentador no tiene una llama fuerte constante. El calentador humea y tira combustible crudo. El husillo no se torna color rojo cereza.

Ajuste: la presión de la bomba está demasiado baja. Gire el tornillo de ajuste hacia la derecha para aumentar la presión de la bomba.

Problema: la llama se extiende más allá del extremo del calentador.

Ajuste: la presión de la bomba está demasiado alta. Gire el tornillo de ajuste hacia la izquierda para disminuir la presión de la bomba.

CRONOGRAMA DIARIO

1. **GENERAL.** Realice una inspección visual general del calentador para detectar partes sueltas o dañadas. Verifique las tuercas y los pernos para asegurarse de que no estén sueltos debido a la vibración o al mal uso. Las piezas dañadas deben repararse o reemplazarse antes de volver a utilizar el calentador. Verifique el funcionamiento del calentador para asegurarse de que funcione normalmente (Consulte la sección de "Reparación" para obtener una descripción sobre el funcionamiento normal).
2. **FILTROS.** El aire o los filtros de combustible sucios provocarán un desequilibrio en la mezcla aire-combustible. La mejor indicación de este problema es un aumento de los olores o dificultad para encender el calentador. No se debe hacer funcionar el calentador sin que los filtros estén en su lugar. Si es necesario, limpie los filtros según se describe en las secciones "Cronograma de 500 horas" y "Cronogramas anuales".

CRONOGRAMA DE 500 HORAS

1. **FILTRO DE ADMISIÓN DE AIRE.** Quite y lave el elemento de filtro con un detergente suave, séquelo por completo y reemplácelo. No coloque aceite en el elemento de filtro. Si el calentador se utiliza en lugares considerablemente sucios o con polvo, límpielo cuantas veces sea necesario (aproximadamente cada 50 horas).
2. **QUITE EL POLVO.** Limpie el calentador dos veces por temporada (con más frecuencia cuando hay polvo). Quite el polvo acumulado en el transformador, el quemador, el motor y las aspas del ventilador con aire comprimido. Limpie el área con un trapo seco y limpio. Inspeccione el área para asegurarse de quitar todos los materiales extraños, especialmente los que se encuentren alrededor del quemador y el área de combustión.
3. **CÉLULA DEL CAD.** Limpie la parte de vidrio de la célula del cad con un trapo suave seco.
4. **PICO.** La acumulación de suciedad proveniente del combustible y del carbono de las aspas del compresor llenarán los pasajes en el pico en última instancia, lo que provocará una reducción del flujo de combustible y del aire. La presión aumentará gradualmente y provocará una mezcla inadecuada de combustible y aire, y olor y humo en exceso. Si esto sucede, reemplace el pico de combustible.
5. **TANQUE DE COMBUSTIBLE.** Límpielo dos veces por temporada (durante períodos de uso frecuente, límpielo dos veces por mes). Drene y enjuague el tanque de combustible con aceite de combustible limpio.

CRONOGRAMA ANUAL

1. **FILTRO DE SALIDA DE AIRE.** Quite el filtro de salida de aire y presione suavemente el lado contaminado sobre un objeto sólido para quitar los contaminantes. No se debe utilizar aire comprimido ni líquidos para limpiar este filtro. Vuelva a instalar el filtro limpio en la estructura del filtro en la misma posición en la que estaba cuando se quitó. Si parece que el filtro está demasiado sucio, reemplácelo con un nuevo filtro del mismo tipo. Cuando reemplace la cubierta del filtro, asegúrese de que la junta se encuentre firmemente en su lugar y que los tornillos de la cubierta del filtro estén ajustados para evitar fugas de aire.
2. **FILTRO DE COMBUSTIBLE.** Quite el filtro de combustible de la línea de combustible y apunte el aire comprimido a través del filtro en la dirección opuesta al flujo del combustible. Se deben usar gafas de protección cuando se utiliza aire comprimido.
3. **LÍNEAS DE AIRE Y COMBUSTIBLE.** Si se quitan las líneas de aire o combustible durante la limpieza, asegúrese de que todas las conexiones estén ajustadas antes de usar la unidad.

ALMACENAMIENTO

Guarde el calentador en un lugar seco sin vapores ni polvo.

Al término de cada temporada de calefacción, limpie el calentador tal como se describe en la sección MANTENIMIENTO. Drene y enjuague el tanque de combustible con combustible limpio.

El fabricante recomienda llenar el tanque con combustible por completo en caso de que el calentador vaya a estar almacenado por un período prolongado, a fin de minimizar la condensación dentro del tanque.

REPARACIÓN

Se puede producir una situación de riesgo si se utiliza un calentador cuya configuración original haya sido modificada o si no está funcionando correctamente.

Cuando el calentador funciona normalmente:

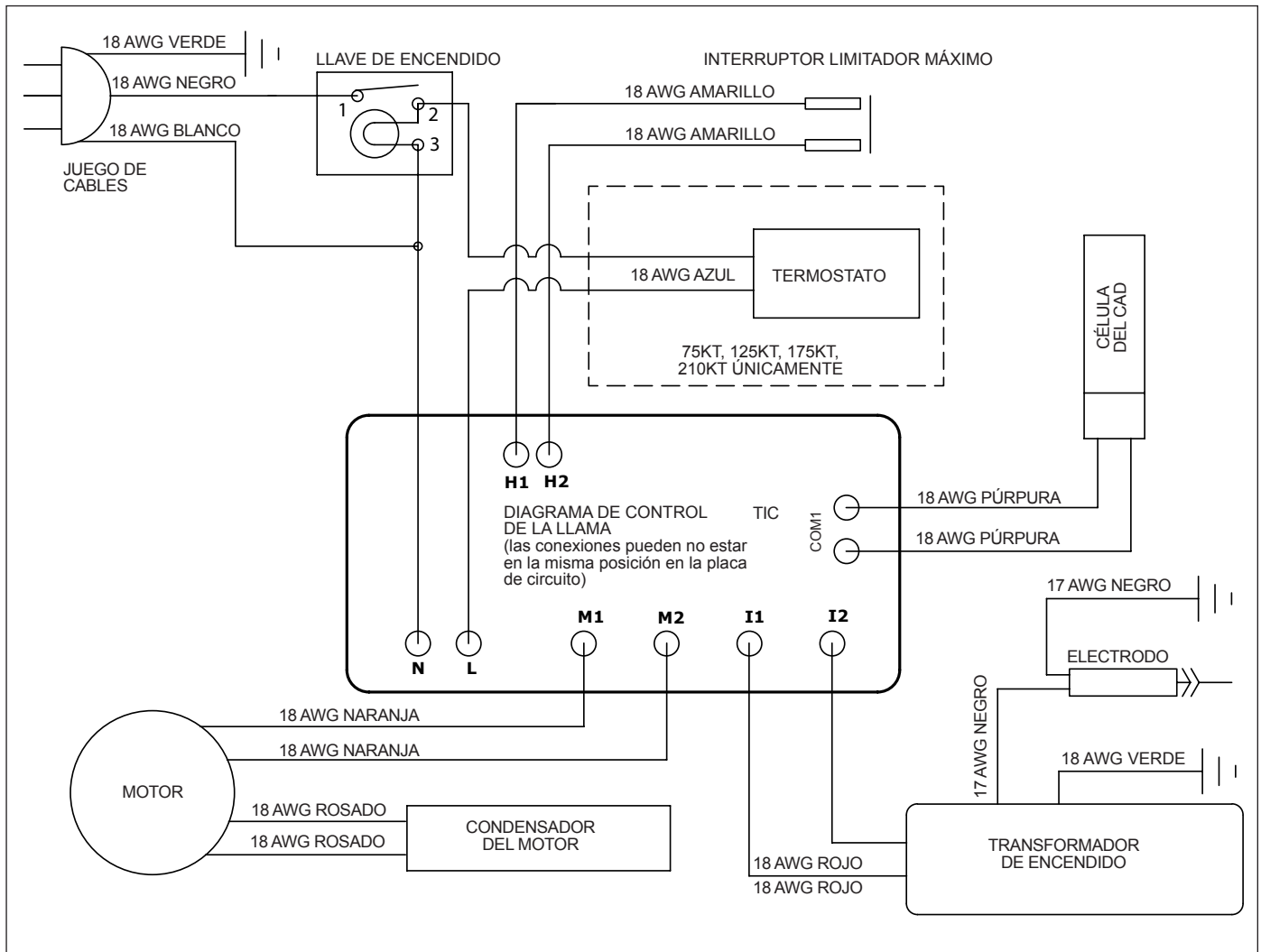
- * La llama arde en el interior del calentador.
- * La llama es esencialmente amarilla.
- * No se percibe un olor desagradable fuerte, no arden los ojos y no hay ningún otro tipo de incomodidad física.
- * No hay humo ni hollín dentro ni fuera del calentador.
- * El calentador no se apaga inesperadamente o inexplicablemente.

APAGADO DE SEGURIDAD DE DIAGNÓSTICO Y RESOLUCIÓN DE PROBLEMAS

Estas instrucciones se aplican a los modelos HS50K, HS75KT, HS125KT, HS175KT, HS210KT.

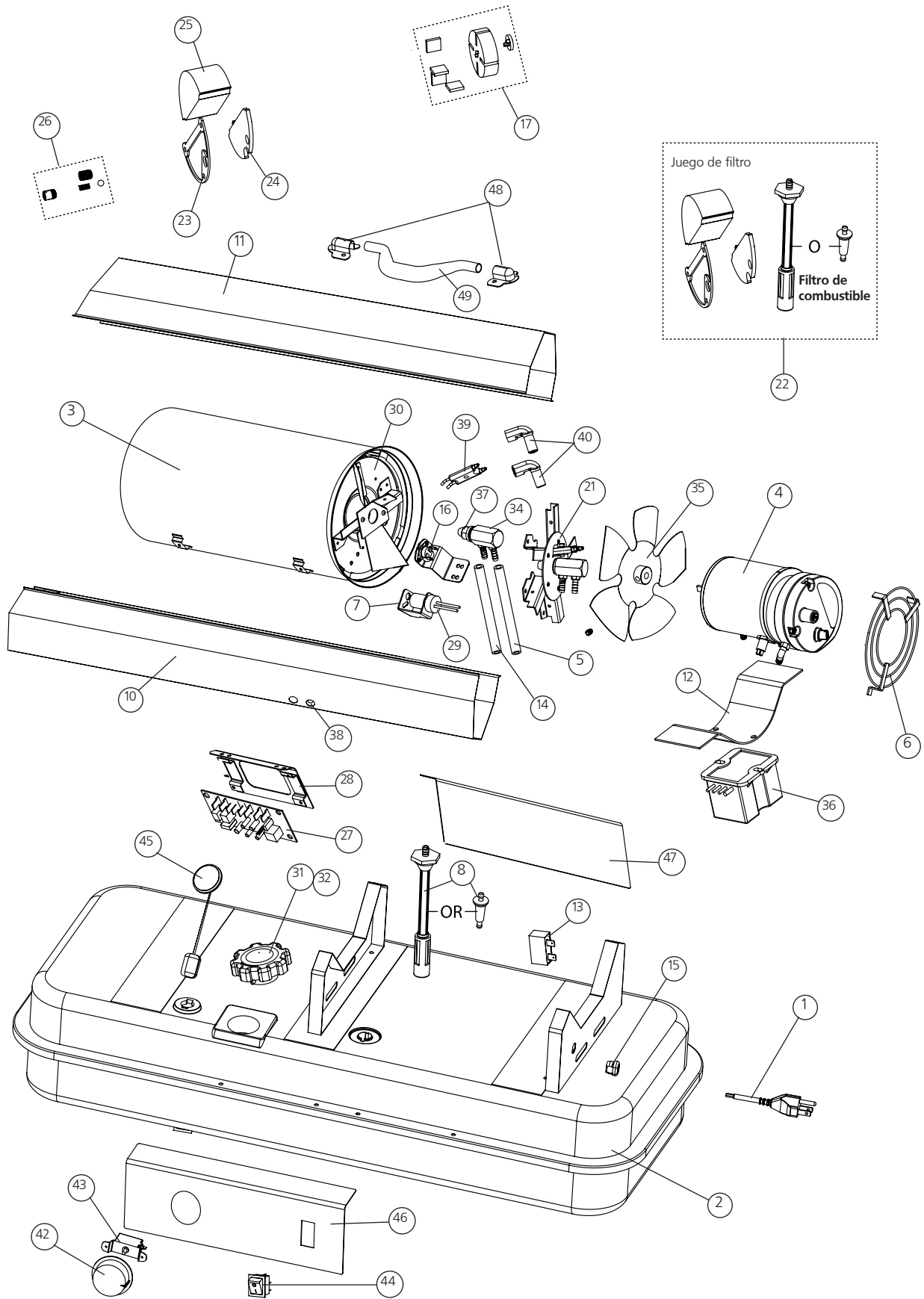
SÍNTOMA RESOLUCIÓN	DESCRIPCIÓN
Circuito abierto, interruptor limitador máximo	1) Asegúrese de que el calentador se enfríe por completo, lleve el interruptor a la posición "OFF" (Apagado), espere durante 5 minutos e inténtelo nuevamente.
Hay chispas para prender la llama pero el motor no funciona o lo hace lentamente	1) Verifique el cableado al motor (mediante el esquema de cableado en el manual). 2) Asegúrese de que el medidor se encuentre en su lugar y no esté dañado. 3) Ajuste la presión para lograr que el calentador funcione adecuadamente según las indicaciones del manual. 4) Con el calentador desconectado de la alimentación de CA, gire el ventilador hacia la derecha para verificar que el motor esté libre. 5) Quite la cubierta del filtro de aire del motor e inspeccione el rotor de la bomba para verificar si hay daños. Si está dañado, reemplace el montaje del rotor. 6) Si el cableado es correcto, el rotor de la bomba está en buenas condiciones y el motor no gira libremente, reemplace el motor o el conjunto de la unidad de alimentación. 7) Si el problema persiste, reemplace el conjunto de control de aceite de la llama. 8) Verifique el arco de la chispa del conjunto de electrodo al cilindro de combustión. 9) Verifique la célula del cad para comprobar la continuidad.
No hay chispa.	1) Verifique la longitud y el calibre del cable de extensión para comprobar que el amperaje sea el adecuado según el diagrama. (Verifique los requisitos en la página 4). 2) Verifique el cableado al encendedor (según el esquema de cableado en el manual). 3) Verifique el espacio entre las sondas de electrodos (2.3 - 3 mm). 4) Aún no hay chispa; reemplace el conjunto del encendedor. 5) Reemplace el conjunto de control de aceite de la llama.
Funcionamiento anormal del motor: el motor se recalienta o se detiene.	1) La velocidad del motor es demasiado baja (el motor debe funcionar a 3450 rpm): reemplace el motor. 2) Con el calentador desconectado de la alimentación de CA, gire el ventilador hacia la derecha para verificar que el motor esté libre. 3) Quite la cubierta del filtro de aire del motor e inspeccione el rotor de la bomba para verificar si hay daños. Si está dañado, reemplace el montaje del rotor. 4) Si el cableado es correcto, el rotor de la bomba está en buenas condiciones y el motor no gira libremente, reemplace el motor o el conjunto de la unidad de alimentación. 5) Reemplace el conjunto de control de aceite de la llama.
No se puede detectar la llama.	1) Verifique el cableado a la célula del cad (según el esquema de cableado en el manual). 2) Limpie la fotocélula de la célula del cad. a) Deslice hacia afuera la célula del cad de su sujetador. b) Empuje la fotocélula hacia afuera de la cubierta de goma oscura de la célula del cad presionando sobre los 2 cables púrpura. c) Limpie la fotocélula con un trapo suave y alcohol. d) Coloque la fotocélula nuevamente en la cubierta de la célula del cad y vuelva a instalarla en el soporte. e) Pruebe el calentador. 3) Si aún no funciona, reemplace la célula del cad. 4) Reemplace el conjunto de control de aceite de la llama.
Hay una falla en el control de la llama.	1) Verifique el cableado en el calentador (según el esquema de cableado en el manual). 2) Reemplace el conjunto de control de aceite de la llama.

DIAGRAMA DE CABLEADO



Las listas de piezas y el diagrama del cableado muestran la configuración original del calentador. No utilice un calentador que sea diferente del que se muestra. El rendimiento del calentador surge efecto a través de la configuración de la presión de aire. Si hay alguna duda acerca de la configuración de la presión de aire, haga que la revisen.

Si un calentador *no* funciona correctamente debe ser reparado, pero *solo* por un técnico de mantenimiento capacitado y experimentado.



PAGE LEFT INTENTIONALLY BLANK



INSTRUCCIONES DE USO Y MANUAL DEL USUARIO

Modelos #

HS50K, HS75KT,
HS125KT, HS175KT,
HS210KT

ADVERTENCIA:

USE SOLAMENTE REPUESTOS DEL FABRICANTE. EL USO DE CUALQUIER OTRA PIEZA PODRÍA CAUSAR HERIDAS O LA MUERTE. LOS REPUESTOS ESTÁN DISPONIBLES ÚNICAMENTE EN LA FÁBRICA Y DEBEN SER INSTALADOS POR UNA AGENCIA DE SERVICIO CALIFICADA.

INFORMACIÓN PARA ORDENAR REPUESTOS:

COMPRAS: Puede comprar los accesorios en cualquier distribuidor local de HEATSTAR by ENERCO o directamente de la fábrica.

SI DESEA OBTENER INFORMACIÓN ACERCA DE REPARACIONES

Llame sin cargo al 866-447-2194.
www.heatstarbyenerco.com

Nuestro horario de trabajo es de 8:00 a. m. a 5:00 p. m., hora del este, de lunes a viernes.

Incluya el número de modelo, la fecha de compra y la descripción del problema en todas sus comunicaciones.

GARANTÍA LIMITADA

Enerco Technical Products, Inc. garantiza sus calentadores y accesorios contra defectos de material y de mano de obra por un período de 1 año a partir de la fecha de compra. Enerco Technical Products, Inc. reparará o reemplazará este producto sin cargo si presentara desperfectos en el plazo del primer año tras realizada la compra, siempre y cuando el cliente cubra los gastos de la devolución y presente el comprobante de compra a Enerco Technical Products, Inc. durante el período de garantía.

Mr. Heater Inc. se reserva el derecho de hacer cambios en cualquier momento, sin previo aviso, en los colores, especificaciones, accesorios, materiales y modelos.

REGISTRO DE PRODUCTO: Gracias por su compra.
Por favor entre al sistema a <http://www.egiregistration.com> para registrar su producto.

HEATSTAR by ENERCO, 4560 W. 160TH ST., CLEVELAND, OHIO 44135
866-447-2194
© 2015, Enerco Technical Products, Inc. Todos los derechos reservados.



UL733, CSA B140.8, CSA B140.9.3