

duraflame

**MODEL/ MODÈLE/ MODELO:
9HM9342**

**INSERT MODEL/ MODÈLE IPOÊLE/ MODELO INSERTO:
9QI073ARA**

Español P.10

Français P.18



www.tsicustomerservice.com



1-800-318-9373

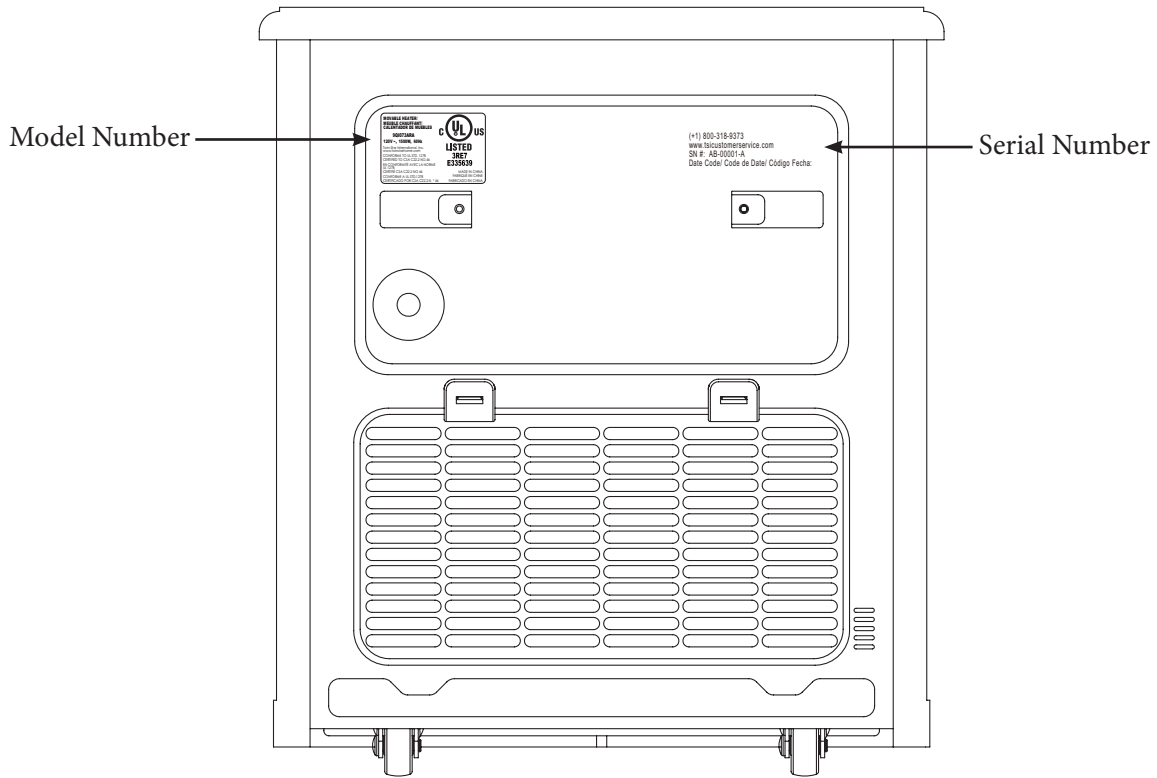
TWIN-STAR
INTERNATIONAL
HOME FURNISHINGS

Twin-Star International, Inc; Delray Beach, FL 33445

Made in China • Printed in China • Fabricado en China • Imprimé en Chine • Fabriqué en Chine • Imprimé en Chine

GETTING STARTED

1. The serial number is located on the back of the heater, the serial number is necessary for product warranty registration and customer service.



2. Go to www.tsicustomerservice.com for product warranty registration. For registration use the **MODEL NUMBER: 9QI073ARA**. If you are unable to complete registration save your proof of purchase for warranty purposes.

PRODUCT SPECIFICATIONS

VOLTAGE	120VAC, 60 Hz
AMPS	12.5 Amps
WATTS	1500 Watts

IMPORTANT INSTRUCTIONS

When using electrical appliances, basic precautions should always be followed to reduce the risk of fire, electrical shock, and injury to persons including the following:

1. Read all instructions before using this appliance.
2. This appliance is hot when in use. To avoid burns, do not let bare skin touch hot surfaces. If provided, use handles when moving this appliance. Keep combustible materials, such as furniture, pillows, bedding, papers, clothes and curtains at least 3 feet (0.9 m) from the front of this appliance and keep away from the sides and the rear.
WARNING: In order to avoid overheating, do not cover the heater.
3. CAUTION: Never leave the heater operating unattended. Extreme caution is necessary if unsupervised children or invalids are nearby.
4. The appliance is not to be used by children or persons with reduced physical, sensory or mental capabilities, or lack of experience and knowledge, unless they have been given supervision or instruction.
5. Always unplug this appliance when not in use.
6. Do not operate any heater with a damaged cord or plug or after the appliance malfunctions, or if it has been dropped or damaged in any manner.
7. If the supply cord is damaged, it must be replaced by the manufacturer, its service agent or similarly qualified persons in order to avoid a hazard.
8. Do not use outdoors.
9. This heater is not intended for use in bathrooms, laundry areas and similar indoor locations. Never locate this appliance where it may fall into a bathtub or other water container.
10. Do not run cord under carpeting. Do not cover cord with throw rugs, runners or the like. Arrange cord away from traffic areas and where it will not be tripped over.
11. To disconnect this appliance, turn controls to the off position, then remove plug from outlet.
12. Connect to properly grounded outlets only. This heater is for use on 120 volts. The cord has a plug as shown at A in Fig.1. Do not use a 2 prong adapters. Never use with an extension cord or relocatable power tap (outlet/power strip).

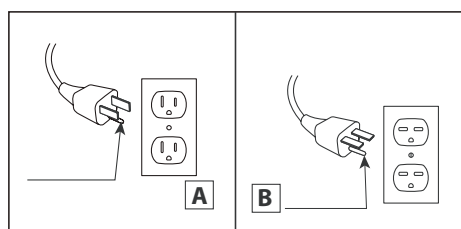
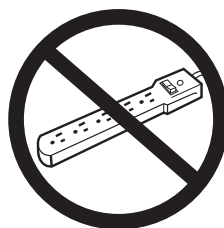


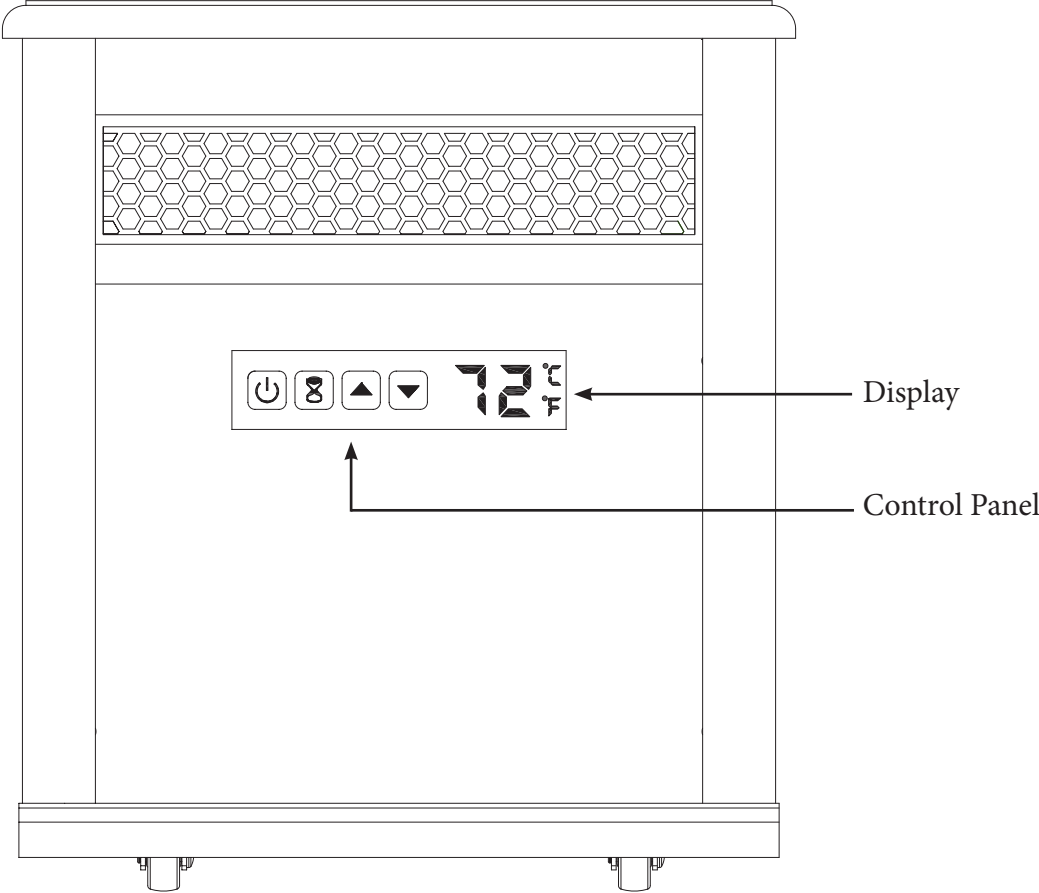
Fig.1



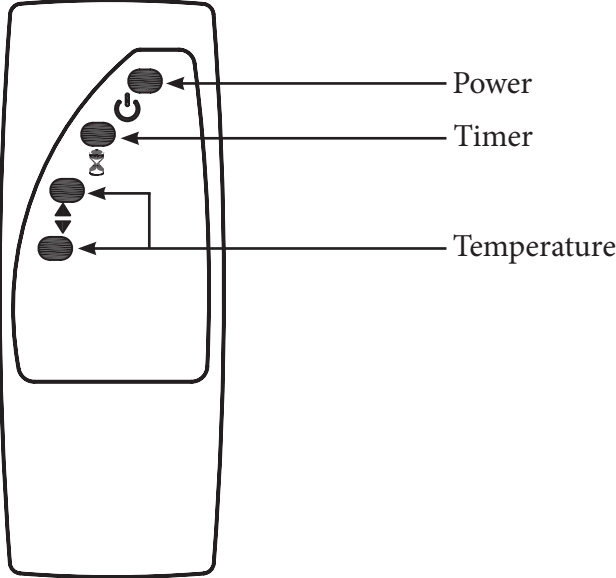
13. This appliance, when installed, must be electrically grounded in accordance with local codes or, in the absence of local codes, with the current CSA C22.1 Canadian Electrical Code or for U.S.A. installations, follow local codes and the National Electrical Code, ANSI/NFPA NO.70.
14. Do not insert or allow foreign objects to enter any ventilation or exhaust opening as this may cause an electric shock or fire, or damage the appliance.
15. To prevent a possible fire, do not block air intakes or exhaust in any manner. Do not use on soft surfaces, like a bed, where opening may become blocked.
16. This appliance has hot and arcing or sparking parts inside. Do not use it in areas where gasoline, paint or flammable liquids are used or stored. This fireplace should not be used as a drying rack for clothing. Christmas stockings or decorations should not be hung in the area of it.
17. Use this appliance only as described in the manual. Any other use not recommended by the manufacturer may cause fire, electric shock or injury to persons.
18. CAUTION: Do not sit or stand on the heater; the heater may become unstable.

SAVE THESE INSTRUCTIONS



OPERATION INSTRUCTIONS



The heater can be operated by either the remote control or the control panel.



OPERATION INSTRUCTIONS

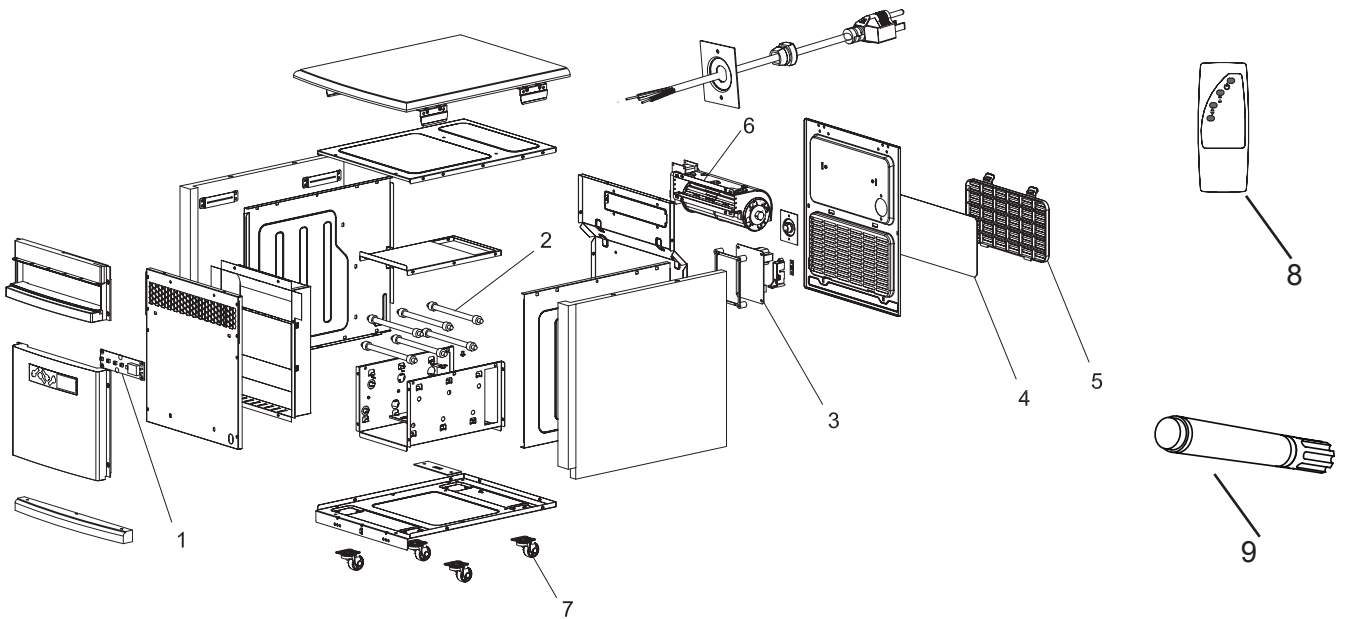
FUNCTION	ICON	DESCRIPTION
POWER		<p>The POWER button supplies power to all the functions of the heater. Pressing the POWER button again the heater will be put in standby mode.</p> <p>Pressing and holding the POWER button on the control panel for 3 seconds will switch between °F and °C.</p>
TIMER		<p>Press TIMER button will turn on or off timer settings.</p> <p>There are 9 timer settings and OFF that can be selected. OFF(00), 30min, 1Hour, 2H, 3H, 4H, 5H, 6H, 7H, 8H.</p> <p>Double-digit minute settings, such as: 30 minutes are: 30</p> <p>A digital plus a “H” show hours setting, such as: 2 Hours are: 2H</p> <p>If the timer function was previously set the first press of the timer button won't change the previous setting. Pressing the timer button will activate the timer display.</p> <p>When the timer is active, the display will count down from 60 seconds before shutting off the heater.</p>
▲ ▼ - SETTING TEMPERATURE		<p>When pressing the ▲ ▼ buttons the display will enter temperature setting mode.</p> <p>When in temperature setting mode pressing the ▲ ▼ buttons will change the thermostat by 1 °F (1 °C.)</p> <p>The temperature setting range is between 50 °F - 97 °F (10 °C - 36 °C). The default temperature is 72 °F (22 °C.)</p> <p>After 10 seconds without control input the display will exit temperature setting mode and show the current ambient temperature.</p>
COOL DOWN CYCLE		<p>After the heater has ran the fan will continue to run for a period of time to cool down the internal parts.</p>

TROUBLESHOOTING

Problem	Root Cause	Corrective Action
Display shows “ E 1 ”	The thermostat sensor is broken or disconnected.	Unplug the heater, remove the back panel of the heater and check that the thermostat is plugged into the main circuit board. If this does not solve the problem contact customer service for a replacement thermostat sensor.
Display shows “ E 2 ”	The thermostat sensor is broken.	Contact customer service for a replacement thermostat sensor.
Display shows “ E 7 ”	Power cord overheating protection has activated.	Check your heater cord and plug connections. Faulty wall outlet connections or loose plugs can cause the outlet or plug to overheat. Be sure the plug fits tight in the outlet. Heaters draw more current than small appliances, overheating of the outlet may occur even if it has not occurred with the use of other appliances. During use check frequently to determine if your plug outlet or faceplate is HOT! If so, discontinue use of the heater and have a qualified electrician check and/or replace the faulty outlet(s).
Heater does not blow warm air.	Cool down cycle	Normal operation, will continue to run for several minutes before shutting down. Times will vary based on temperatures. During this time cool air will blow.
	Dirty filters	Clean the filter gently with a vacuum.
	Not reaching set temperature.	Perform a master reset; turn off and unplug unit. Hold down main power button on the unit itself. Continue to hold button down while plugging unit back in. Once unit is plugged back in continue to hold button for 5 seconds and then release. Turn unit back on and temperature should flash 72 degrees then display the ambient room temperature.
	Not reaching set temperature.	Unit is designed to be used as a supplemental heat source in conjunction with a primary heat source.
Temperature display not matching room temperature read by other thermostats.	Calibration	Press and hold timer button, 00 flashes then a single digit between -9 degrees to 9 degrees will appear. At this point release the timer button and use the arrow up/down button to adjust the temperature variance up to 9 degrees +/- . After 10 second without control input the heater will exit thermostat calibration.
The heater is taking a long time to reach desired room temperature.	Dirty filter	Clean the filter gently with a vacuum.
	Improper use of unit	Unit is designed to be used as a supplemental heat source in conjunction with a primary heat source.
	Location	Your unit should always be positioned on an inside wall with proper insulation. The heater provides supplemental heating for up to 1000 sq/ft in conjunction with a primary heat source.
	Location	The back and side of the heater should be greater than 6 inches away from objects for proper air intake.
	Use of surge protector/ extension cord.	Plug unit directly into the wall outlet.
Temperature will not change.	Defective control panel circuit board.	Replace control panel circuit board.
Heater does not turn on but other functions work fine.	Manual reset needed	Turn the POWER to “OFF” and unplug the unit from the wall outlet for 5 minutes. After 5 minutes plug the unit back into wall outlet, and operate as normal. If the problem persist contact customer service.
Unit continues to run after reaching set temperature/ or powering off.	Cool down cycle	Normal operation, will continue to run for several minutes before shutting down. Times will vary based on heating. UNIT WILL BLOW COOL AIR.
Heat turns on randomly.	Ambient room temperature scan.	Normal operation, unit will periodically run to test air temperature. Will run 3 minute of cool air and 3 minutes of warm air.
Buttons do not work.	Defective control panel circuit board.	Replace control panel circuit board.
Control panel does not illuminate.	Defective control panel circuit board.	Replace control panel circuit board.
How many quartz heating elements are in my unit?	9QI product Inquiry.	6 Infrared Quartz heating elements.
Remote Control is not working.	No batteries or battery power.	Change the remote batteries.
	poor signal	Operate remote transmitter at a slow measured pace. Press the remote control buttons with an even motion and gentle pressure. Repeatedly pressing buttons in rapid succession may cause the transmitter to malfunction.
	Distance	Operate the remote at a distance less than 20 feet from the front of the appliance; point the remote at the control panel.

EXPLODED VIEW

Part	Part Name
1	Control panel circuit board
2	Infrared Element
3	Main Circuit Board
4	Filter
5	Filter Cover
6	Blower
7	Caster
8	Remote Control
9	Touch-up Pen



CARE AND MAINTENANCE

- Clean the trim using a soft cloth, slightly dampened with citrus oil based product and buff with a clean soft cloth.
- DO NOT use brass polish or household cleaners as these products will damage the metal trim. Citrus oil based products can be obtained at supermarkets or hardware stores.
- Periodic cleaning/vacuumping of the filter is recommended.
- WARNING: Electrical outlet wiring must comply with local building codes and other applicable regulations to reduce the risk of fire, electrical shock and injury to persons.
- Warning: Disconnect power before attempting any maintenance or cleaning to reduce the risk of fire, electrical shock or personal injury.

FCC/IC INFORMATION

NOTE: This equipment has been tested and found to comply with the limits for Class B digital device, pursuant to part 15 of the FCC Rules. These limits are designed to provide reasonable protection against harmful interference in a residential installation. This equipment generates, uses, and can radiate radio frequency energy and, if not installed and used in accordance with the instructions, may cause harmful interference to radio or television reception, which can be determined by turning the equipment off and on, the user is encouraged to try to correct the interference by one or more of the following measures:

- Reorient or relocate the receiving antenna.
- Increase the separation between the equipment and the receiver.
- Connect the equipment into an outlet on a circuit different from that to which the receiver is connected.
- Consult the dealer or an experienced radio/TV technician for help.

This device complies with Part 15 of the FCC Rules. Operation is subject to the following two conditions:

- (1) This device may not cause harmful interference, and
- (2) this device must accept any interference received, including interference that may cause undesired operation.

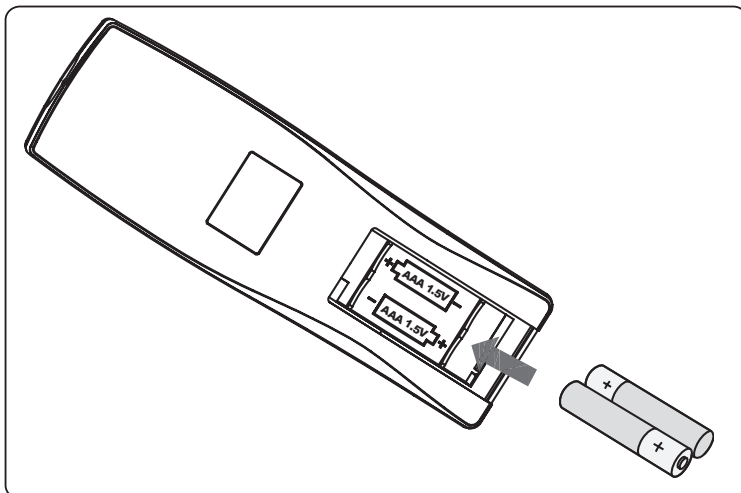
Modifications not approved by the party responsible for compliance could void user's authority to operate the equipment.

This Class B digital apparatus complies with Canadian ICES-003.

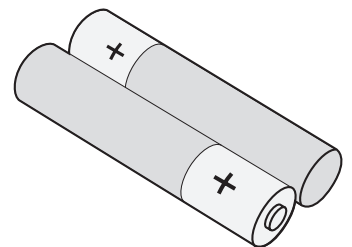
BATTERY REPLACEMENT

NOTE: Do not mix old and new batteries.
Do not mix alkaline, standard (carbon zinc), or rechargeable (nicad, nimh, etc.) batteries.

Caution: Do not ingest batteries.



Note:
Battery disposal
Please always dispose of batteries
at a suitable recycling point.



1. Non-rechargeable batteries are not to be recharged.
2. Batteries are to be inserted with the correct polarity.
3. Exhausted batteries are to be removed from the product.

3-YEAR LIMITED WARRANTY

The manufacturer warrants that your new Electric Heater is free from manufacturing and material defects for a period of three years from date of purchase, subject to the following conditions and limitations.

1. Install and operate this Electric Appliance in accordance with the installation and operating instructions furnished with the product at all times. Any unauthorized repair, alteration, willful abuse, accident, or misuse of the product shall nullify this warranty.
2. This warranty is non-transferable, and is made to the original owner, provided that the purchase was made through an authorized supplier of the product.
3. The warranty is limited to the repair or replacement of part(s) found to be defective in material or workmanship, provided that such part(s) have been subjected to normal conditions of use and service, after said defect is confirmed by the manufacturer's inspection.
4. The manufacturer may, at its discretion, fully discharge all obligations with respect to this warranty by refunding the wholesale price of the defective part(s).
5. Any installation, labor, construction, transportation, or other related costs/expenses arising from defective part(s), repair, replacement, or otherwise of same, will not be covered by this warranty, nor shall the manufacturer assume responsibility for same.
6. The owner/user assumes all other risks, if any, including the risk of any direct, indirect or consequential loss or damage arising out of the use, or inability to use the product, except as provided by law.
7. All other warranties – expressed or implied – with respect to the product, its components and accessories, or any obligations/liabilities on the part of the manufacturer are hereby expressly excluded.
8. The manufacturer neither assumes, nor authorizes any third party to assume on its behalf, any other liabilities with respect to the sale of the product.
9. The warranties as outlined within this document do not apply to non accessories used in conjunction with the installation of this product.
10. This warranty gives you specific legal rights, and you may also have other rights which vary from state to state.

This warranty is void if:

- a. The Heater is subjected to prolonged periods of dampness or condensation.
- b. Any unauthorized alteration, willful abuse, accident, or misuse of the product.
- c. You do not have the original receipt of purchase.

CUSTOMER SERVICE

www.tsicustomerservice.com

For Customer Service Call 1-800-318-9373

Questions? Our experts are standing by assist you at our Toll-Free help line, we can help you with assembly, and, if necessary replace damaged/missing parts. Assistance is available 7 days a week/24 hours a day/365 days per year.

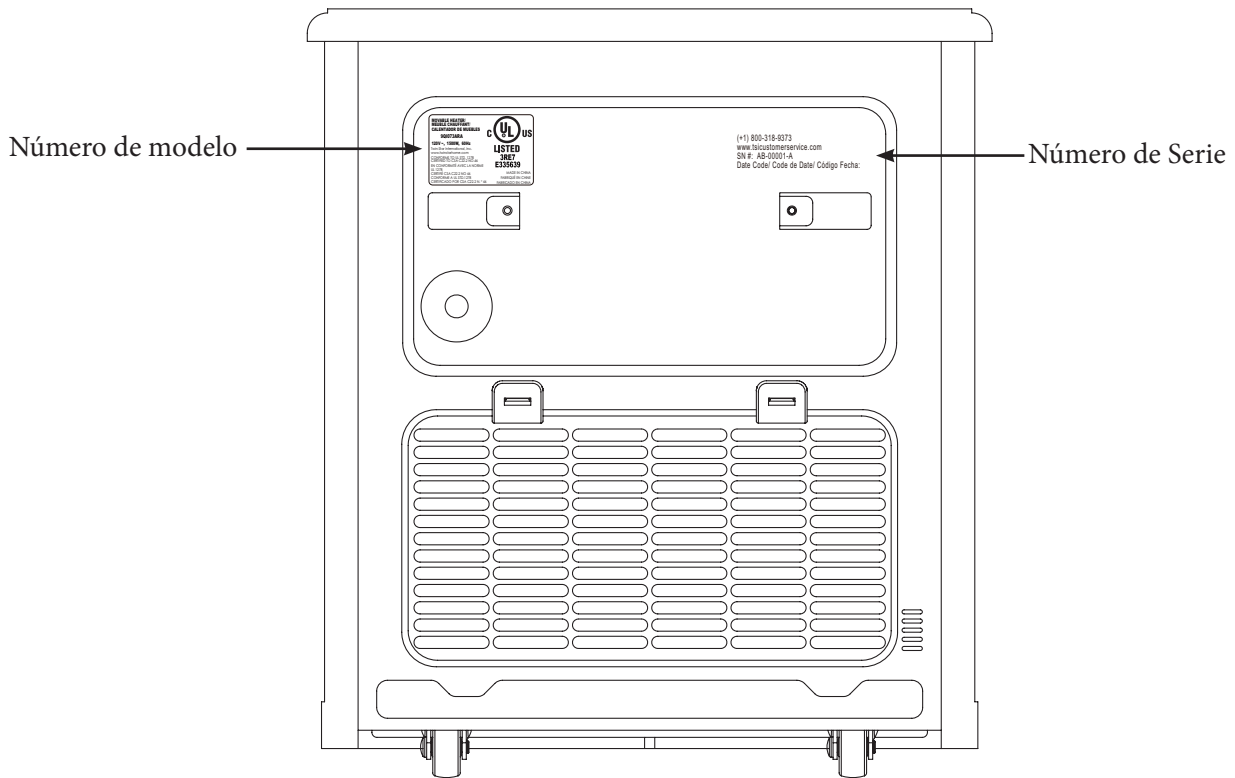
IMPORTANT:

Before contacting Customer Service please have this information available:

- Serial Number
- Model Number
- Sales Receipt or Proof of Purchase

PARA EMPEZAR

1. El número de serie se encuentra en la parte posterior de la calentador, el número de serie es necesario para el registro de la garantía del producto y el servicio de atención al cliente.



2. Visitar www.tsicustomerservice.com para el registro de la garantía del producto. Para inscribirse use el **NÚMERO DE MODELO: 9QI073ARA**. Si usted no puede completar el registro guarde el comprobante de compra para hacer válida la garantía.

ESPECIFICACIONES ELÉCTRICAS

Tensión	120VAC, 60 Hz
Amperios	12.5 A
Potencia	1500 W

INSTRUCCIONES IMPORTANTE

Cuando utilice electrodomésticos, siempre tome medidas de precaución básicas para evitar incendios, descargas eléctricas y lesiones personales. Entre ellas:

1. Lea todas las instrucciones antes de usar este electrodoméstico.
2. Este calentador se calienta cuando está en uso. Para evitar quemaduras, no permita que la piel sin protección entre en contacto con superficies calientes. Si están incluidas, utilice las manijas para mover este aparato. Mantenga los materiales inflamables, como muebles, almohadas, ropa de cama, papeles, prendas de vestir y cortinas, a un mínimo de 3 pies (0.9 m) de distancia de la parte frontal del calentador y manténgalos alejados de los laterales y la parte posterior.
ADVERTENCIA: Para evitar el sobrecalentamiento, no cubra el calentador.
3. PRECAUCIÓN: Nunca deje el calentador operando de forma desatendida. Extremo cuidado es necesario si hay niños o personas discapacitadas sin supervisión cerca.
4. Este electrodoméstico no debe ser usado por personas o niños con capacidades físicas, sensoriales o mentales reducidas o sin experiencia ni conocimientos, a menos que una persona responsable de su seguridad les brinde supervisión o capacitación respecto al uso del electrodoméstico.
5. Siempre desenchufe este electrodoméstico cuando no lo use.
6. No opere ningún calentador con un cable o enchufe dañados, después de fallas del mismo, de que se haya dejado caer o dañado de cualquier forma.
7. Si el cable de alimentación está dañado, el fabricante, su empresa de servicio o alguien de calificación similar deben reemplazarlo para evitar peligros.
8. No lo use en exteriores.
9. Este calentador no se debe usar en el baño, lavadero y en espacios húmedos similares interiores. Nunca coloque este calentador donde se pueda caer dentro de una bañera u otro contenedor de agua.
10. No coloque el cable debajo de una alfombra. No cubra el cable con alfombras, tapetes o similares. Coloque el cable lejos de zonas de tránsito en donde nadie se pueda tropezar y caer.
11. Para desconectar este electrodoméstico, gire los controles a la posición de apagado y luego retire el enchufe del tomacorriente.
12. Conectar solamente a una toma de corriente con conexión a tierra adecuada. Este calentador debe utilizarse con 120 voltios. El cable incluye un enchufe tal como se muestra en la figura A en la Fig.1. No utilice un adaptador de 2 clavijas. Nunca use un cable de extensión o tomas de alimentación reubicable (enchufes/ regletas).

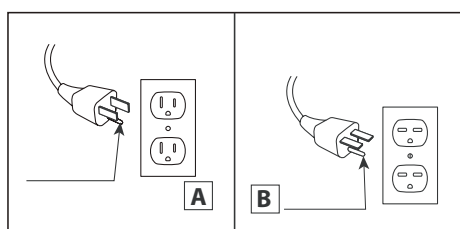
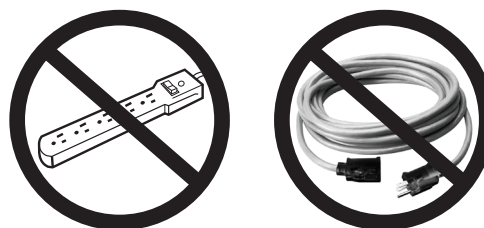


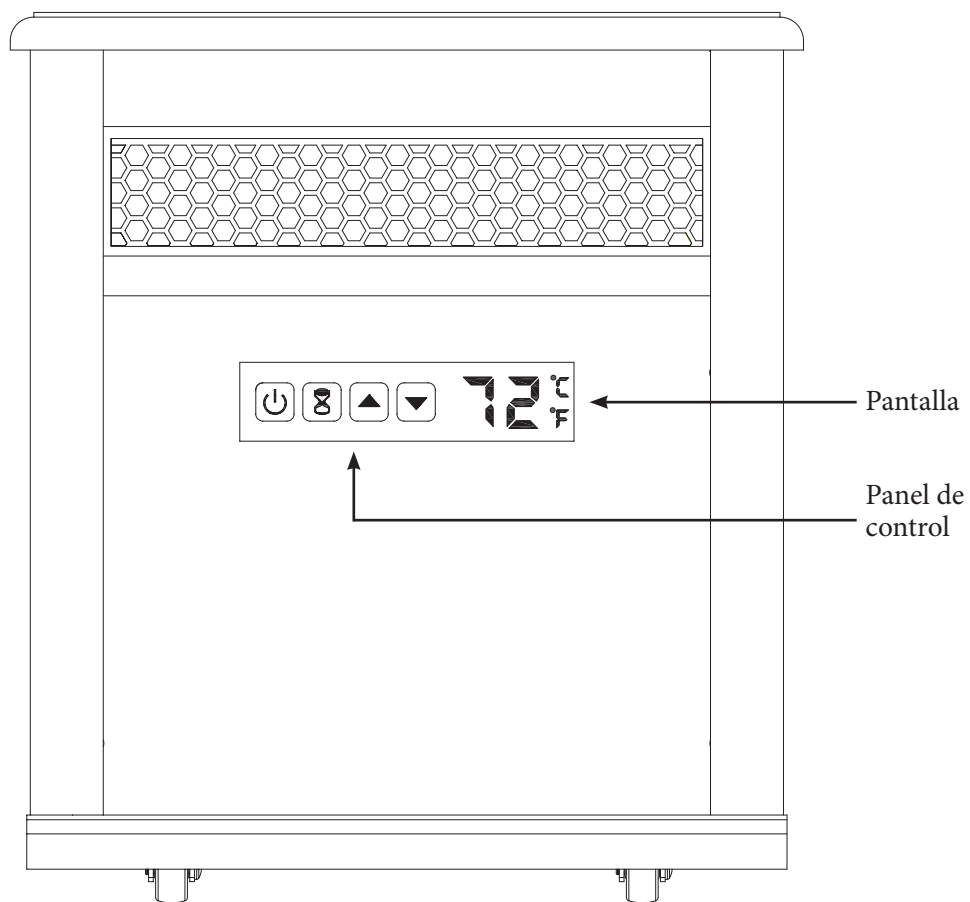
Fig.1



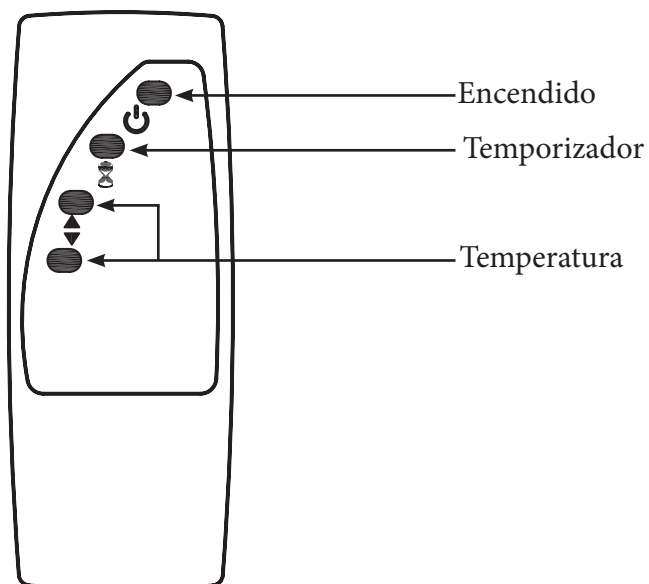
13. Cuando está instalado, este artefacto debe presentar una conexión eléctrica a tierra según los códigos locales, según los Códigos de Electricidad de Canadá CSA C22.1 o, para instalaciones en EE.UU., siga los códigos locales y el código nacional de electricidad, ANSI/ NFPA No. 70.
14. No introduzca objetos extraños ni permita que entren en las aberturas de ventilación o escape, ya que pueden provocar descargas eléctricas, incendios o daños en el electrodoméstico.
15. Para evitar incendios, no bloquee las entradas ni salidas de aire de ninguna manera. No use sobre superficies blandas, como una cama, donde las aberturas se puedan bloquear.
16. Este electrodoméstico tiene en su interior piezas calientes y piezas que forman arcos eléctricos o que echan chispas. No lo use en áreas donde se use o almacene gasolina, pintura o líquidos inflamables. Esta chimenea no se debe usar como una rejilla para secar ropa. No cuelgue medias navideñas u otras decoraciones sobre o cerca de este producto.
17. Utilice este electrodoméstico sólo como se describe en este manual. Cualquier otro uso no recomendado por el fabricante puede causar incendios, descargas eléctricas o lesiones personales.
18. PRECAUCIÓN: No se siente ni se pare sobre el calentador, el calentador puede volverse inestable.

GUARDE ESTAS INSTRUCCIONES



INSTRUCCIONES DE OPERACIÓN



El calentador puede ser operado por el control remoto o el panel de control.



INSTRUCCIONES DE OPERACIÓN

FUNCIÓN	ICONO	DESCRIPCIÓN
ENCENDIDO		<p>El botón de ENCENDIDO (POWER) suministra energía a todas las funciones del calentador. Al presionar de nuevo el botón de ENCENDIDO (POWER) el calentador entrará en modo de espera.</p> <p>Mantener presionado el botón de ENCENDIDO (POWER) en el panel de control durante 3 segundos cambiará entre °F y °C.</p>
TEMPORIZADOR		<p>Pulse el botón TIMER y se encenderán los ajustes del temporizador.</p> <p>Hay 9 configuraciones del temporizador y APAGADO (OFF) que se pueden seleccionar. APAGADO (OFF) (00), 30 minutos, 1 hora, 2H, 3H, 4H, 5H, 6H, 7H, 8H.</p> <p>Configuración de minutos de dos dígitos, tales como: 30 minutos son: <input type="text" value="30"/></p> <p>Un número digital más una "H" muestran la configuración de horas, tales como: 2 Horas son: <input type="text" value="2H"/></p> <p>Si la función de temporizador se ha establecido previamente, presionar el botón de temporizador por primera vez no cambiará la configuración anterior. Al presionar el botón de temporizador se activará la pantalla del temporizador.</p> <p>Cuando el temporizador está activado, la pantalla contará en forma regresiva desde 60 segundos antes de apagar el calentador.</p>
▲ ▼ - CONFIGURACIÓN DE LA TEMPERATURA		<p>Al presionar los botones ▲ ▼ la pantalla entrará en el modo de configuración de temperatura.</p> <p>En el modo de configuración de temperatura, el termostato tendrá un cambio de 1 °C (1 °F) al presionar los botones ▼ ▲.</p> <p>El rango de configuración de la temperatura es entre 10 °C -36 °C (50 °F - 97 °F). La temperatura predeterminada es de 22 °C (72 °F).</p> <p>Después de 10 segundos sin entrada de control, la pantalla cerrará el modo de configuración de temperatura y mostrará la temperatura ambiente actual.</p>
CICLO DE ENFRIAMIENTO		<p>Después de que el calefactor se ha encendido, el ventilador seguirá funcionando durante un período para enfriar las piezas internas.</p>

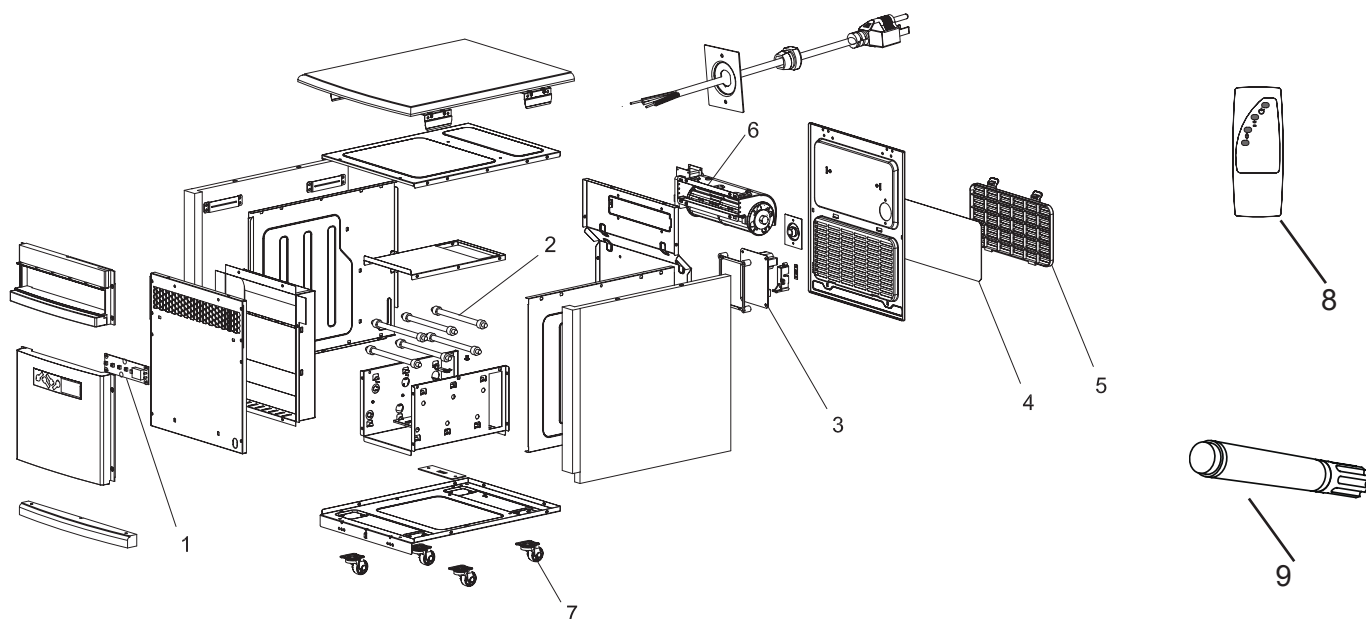
SOLUCIÓN DE PROBLEMAS

Problema	Origen de la causa	Medidas correctivas
La pantalla muestra “ E 1 ”.	El sensor del termostato está dañado o desconectado.	Desenchufe la calentador, quite el panel posterior de la calentador y revise que el termostato esté conectado a la placa del circuito principal. Si esto no resuelve el problema, comuníquese con atención al cliente para obtener un replazo del sensor del termostato.
La pantalla muestra “ E 2 ”.	El sensor del termostato está dañado.	Comuníquese con atención al cliente para el replazo del sensor del termostato.
La pantalla muestra “ E 7 ”.	Poder sobrecalentamiento cable protección se ha activado.	Compruebe que el cable del calentador y las conexiones del enchufe. Conexiones de tomas de corriente defectuosas o enchufes sueltos pueden hacer que la toma de corriente o el enchufe se recaliente. Asegúrese de que el enchufe queda ajustado a la toma de corriente. Los calentadores consumen más corriente que los pequeños electrodomésticos, el recalentamiento de la toma de corriente puede ocurrir incluso si no se ha producido con el uso de otros aparatos. Durante el uso, compruebe con frecuencia para determinar si su enchufe o la placa frontal está CALIENTE! Si es así, deje de utilizar el calentador y contacte con un electricista cualificado para que compruebe o reemplace los enchufe(s) defectuosos.
El calentador no sopla aire caliente.	Ciclo de enfriamiento.	Esto es una operación normal, el ventilador continuará funcionando durante menos de un minuto para enfriar los componentes internos.
	Filtros Sucios.	Limpie el filtro suavemente con un aspirador.
	No llega a la temperatura establecida.	Haga una re-inicialización total; apague y desenchufe la unidad. Mantenga pulsado el botón de alimentación de la unidad. Continúe sosteniendo el botón hacia abajo mientras enchufa la unidad otra vez. Una vez que la unidad se vuelve a enchufar seguir sosteniendo el botón durante 5 segundos y luego suelte. Encienda la unidad otra vez y la temperatura debe parpadear mostrando 72 grados a continuación mostrar la temperatura ambiente de la habitación.
	No llega a la temperatura establecida.	La unidad está diseñada para ser usada con un calentador supletorio en conjunción con la fuente de calor primaria.
La temperatura establecida no iguala la temperatura leída por otros termostatos.	Calibración.	Pulse y mantenga pulsado el botón, 00 parpadeará luego un dígito único entre -9 y 9 aparecerá. En este punto deje de pulsar el botón del temporizador y use las flechas arriba/abajo para ajustar la diferencia e temperatura hasta +/- 9 grados. Después de 10 segundos sin pulsar un control el calentador saldrá de la calibración del termostato.
El calentador tarda mucho tiempo para llegar a la temperatura del habitáculo deseada.	Filtro sucio.	Limpie el filtro suavemente con un aspirador.
	Mal uso de la unidad	La unidad está diseñada para ser usada con un calentador supletorio en conjunción con la fuente de calor primaria.
	Localización.	La unidad debe ser colocada en una habitación con un aislamiento correcto. La unidad calienta hasta 1000 pies por metro cuadrado.
	Localización.	La parte trasera y laterales de la unidad deben estar a más de 6 pulgadas separados de objetos para coger el aire adecuadamente.
	Uso de un protector de sobretensiones/ cable de extensión	Enchufe la unidad directamente a una toma de corriente en la pared.
La temperatura no cambia.	Panel de control del circuito defectuoso.	Reemplace el panel de control del circuito.
El calentador no se enciende pero las otras funciones funcionan correctamente.	Una re-inicialización manual es necesaria.	APAGUE y desenchufe la unidad de la pared durante 5 minutos. Después de 5 minutos enchufe la unidad otra vez en la toma de la pared, y opere de forma normal. Si el problema persiste contacte con el servicio de atención al cliente.
La unidad continua funcionando después de llegar a la temperatura establecida / o se apaga.	Ciclo de enfriamiento.	Operación normal, continuará funcionando durante menos de un minuto antes de apagarse. Los tiempos variarán dependiendo del tiempo de calentado. HASTA QUE SOPLE AIRE FRESCO.
EL calentador se enciende aleatoriamente.	Escaneo de la temperatura ambiente de la habitación.	Operación normal, la unidad funcionará periódicamente para testear la temperatura ambiente. Funcionará soplando 3 minutos de aire fresco y 3 minutos de aire caliente.

Los botones no funcionan	Panel de control del circuito defectuoso.	Reemplace el panel de control del circuito.
El panel de control no se ilumina	Panel de control del circuito defectuoso	Reemplace el panel de control del circuito.
¿Cuántos elementos calefactores de cuarzo hay en mi unidad?	Preguntas sobre el producto 9QI	6 Elementos calefactores infra-rojos de cuarzo.
El control remoto no funciona.	No hay baterías o energía de la batería.	Cambiar las baterías del control remoto.
	Hay una señal deficiente.	Por favor opere el transmisor remoto con un ritmo lento y mesurado. Oprima los botones del control remoto con un movimiento parejo y una presión suave. Oprimir los botones repetidamente en sucesión rápida puede causar que el transmisor funcione mal.
	Distancia.	Operar el control remoto a una distancia inferior a 20 pies desde la parte delantera del aparato; apunte el control remoto al panel de control.

VISTA DESPLEGADA

Pieza	Nombre de la pieza
1	Placa de Circuitos del Panel de Controles
2	Elemento de infrarrojo
3	Placa de circuitos principal
4	Filtro
5	Cubierta del Filtro
6	Soplador
7	Rueda Giratoria
8	Control Remoto
9	Bolígrafo Para Retocar



CUIDADO Y MANTENIMIENTO

- Limpie la moldura metálica con un paño suave humedecido con un producto a base de aceite cítrico y púlalo con un paño suave y limpio.
- NO utilice productos de limpieza domésticos ni limpiametales, ya que estos productos dañarán la moldura metálica. Los productos a base de aceite cítrico pueden conseguirse en supermercados o ferreterías.
- Se recomienda limpiar/aspirar el filtro periódicamente.
- ADVERTENCIA: El cableado del tomacorriente eléctrico debe cumplir con los códigos de edificación locales y otras normas aplicables, a fin de reducir el riesgo de incendio, descarga eléctrica y lesiones a personas.
- ADVERTENCIA: Desconecte la alimentación antes de intentar realizar mantenimiento o limpieza a fin de reducir el riesgo de incendio, descarga eléctrica o lesiones personales.

INFORMACIÓN DE FCC/IC

NOTA: Este equipo ha sido probado y se ha verificado que cumple con los límites para un dispositivo digital clase B, conforme a la sección 15 de las regulaciones de la FCC. Estos límites están diseñados para proporcionar protección razonable contra interferencia perjudicial en una instalación residencial. Este equipo genera, usa y puede irradiar energía de radiofrecuencia y, si no se instala y usa de acuerdo con las instrucciones, puede causar interferencia perjudicial a la recepción de radio o televisión, lo que se puede determinar al apagar y encender el equipo. Se recomienda al usuario que intente corregir la interferencia con una o más de las siguientes medidas:

- Reorientar o reubicar la antena de recepción.
- Aumentar la separación entre el equipo y el receptor.
- Conectar el equipo a un tomacorriente de un circuito distinto al que usa el receptor.
- Solicitar ayuda al concesionario o a un técnico con experiencia en radio/TV.

Este dispositivo cumple con la sección 15 de las reglas de la FCC. El funcionamiento está sujeto a las siguientes dos condiciones:

- (1) este dispositivo no debe causar interferencia perjudicial, y
- (2) este dispositivo deberá aceptar cualquier interferencia recibida, incluida la interferencia que pudiese causar la operación no deseada.

Las modificaciones que no estén aprobadas por la parte responsable del cumplimiento podrían anular la autorización del usuario para utilizar el equipo.

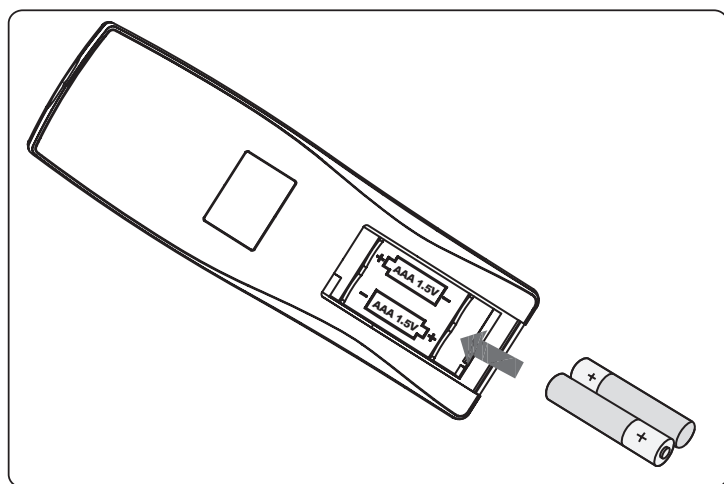
Este instrumento digital clase B cumple con el ICES-003 de Canadá.

REEMPLAZO DE BATERÍA

Nota: No mezclar baterías viejas con nuevas.

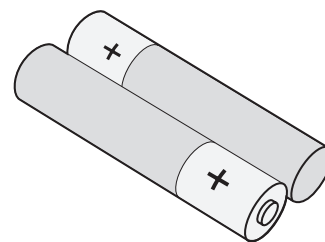
No mezclar baterías alcalinas, baterías recargables (de Ni-Cd, Ni-MH, etc.) y baterías estándar (de zinc-carbono).

Precaución por ingestión.



Nota:

Eliminación de batería
Siempre deseche las baterías
en un punto adecuado de reciclaje.



1. Las pilas no recargables no deben ser recargadas.
2. Las baterías deben ser insertadas con la polaridad correcta.
3. Las baterías agotadas deben ser retiradas del producto.

GARANTÍA LIMITADA DE 3 AÑO

El fabricante garantiza que su nueva calentador eléctrica no presentará defectos de fabricación ni materiales durante un período de 3 año a partir de la fecha de compra, siempre y cuando se cumplan las siguientes condiciones y limitaciones.

1. Esta estufa eléctrica se debe instalar y operar en todo momento de acuerdo con las instrucciones de instalación y operación proporcionadas con el producto. Cualquier reparación no autorizada, alteración, abuso deliberado, accidente o uso inadecuado del producto anulará esta garantía.
2. Esta garantía no es transferible y sólo está disponible para el propietario original, siempre y cuando la compra se haya realizado a través de un proveedor autorizado del producto.
3. Esta garantía se limita a la reparación o reemplazo de piezas que se consideren defectuosas en material o mano de obra, siempre y cuando dicha pieza haya estado sometida a condiciones normales de uso y servicio, después de que una inspección por parte del fabricante confirme dicho defecto.
4. El fabricante podrá, bajo su criterio, eximirse de toda obligación respecto de esta garantía reembolsando el precio al por mayor de la pieza defectuosa.
5. Esta garantía no cubre ningún costo de instalación, mano de obra, fabricación, transporte o de otro tipo que surja de la pieza defectuosa, su reparación, reemplazo u otra situación, y el fabricante no asume ninguna responsabilidad por las mismas.
6. El dueño/usuario asume todos los riesgos, si los hay, incluidos los riesgos de daños o pérdidas directos, indirectos o resultantes que surjan del uso del producto, o de la incapacidad para usarlo, salvo que la ley estipule lo contrario.
7. Mediante el presente, se excluye expresamente cualquier otra garantía, expresa o implícita, respecto del producto, sus componentes y accesorios, o cualquier otra obligación o responsabilidad de parte del fabricante.
8. El fabricante no asume ni autoriza a ningún tercero a asumir en su nombre ninguna otra responsabilidad respecto de la venta de este producto.
9. Las garantías descritas en este documento no se aplican a accesorios que no sean del fabricante y que se usen junto con la instalación de este producto.
10. Esta garantía le otorga derechos legales específicos, pero también puede tener otros derechos que varían según el estado.

Esta garantía es nula si:

- a. La calentador está sometida a períodos prolongados de humedad o condensación.
- b. Se produce cualquier alteración no autorizada, abuso deliberado, accidente o uso inadecuado del producto.
- c. Usted no tiene el recibo original de compra.

SERVICIO AL CLIENTE

www.tsicustomerservice.com

Para el servicio de atención al cliente llame 1-800-318-9373

¿Preguntas? Nuestros expertos están a su disposición a través de nuestra línea de ayuda gratuita, para brindarle asistencia con el ensamblaje, y, si es necesario, para reemplazar las partes dañadas/perdidas. La asistencia está disponible los 7 días de la semana, las 24 horas del día, los 365 días del año.

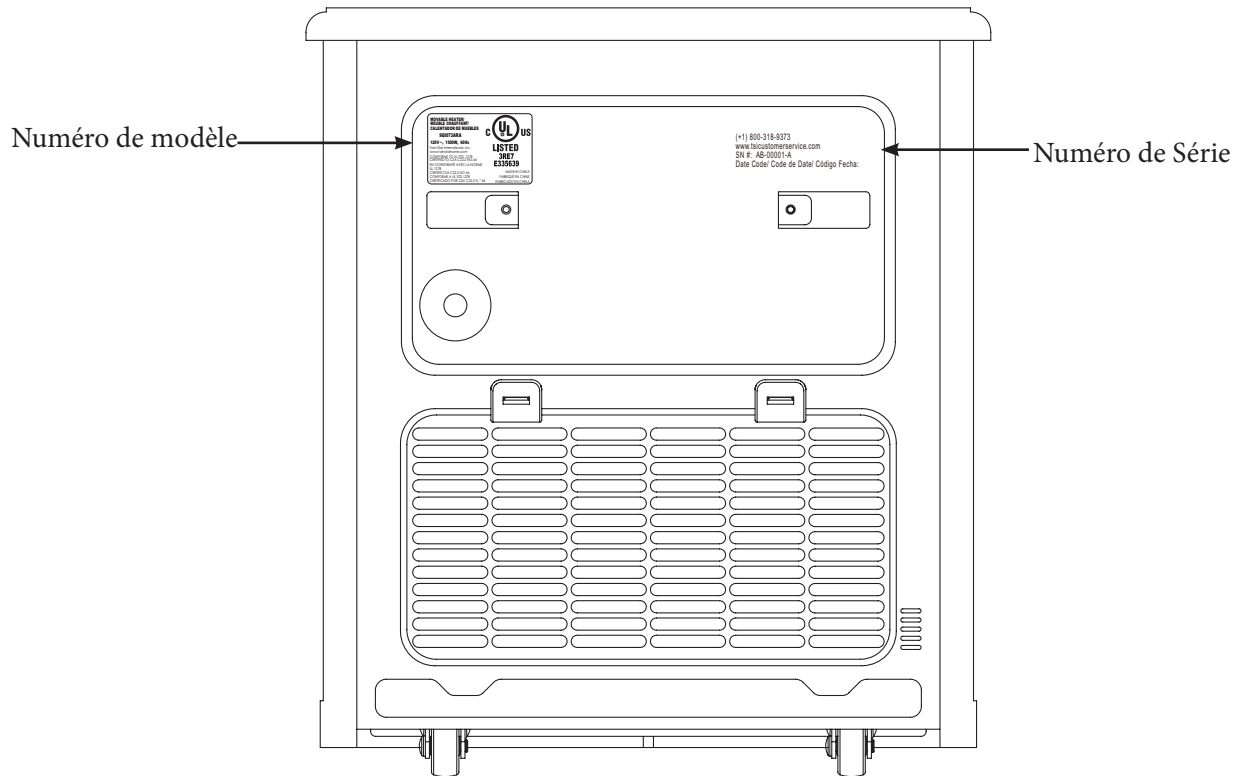
IMPORTANTE:

Antes de comunicarse con atención al cliente, tenga disponible la siguiente información:

- Número de serie
- Número de modelo
- Recibo de compra o prueba de compra

PRÉPARATION

1. Le numéro de série est situé à l'arrière du chauffage et le numéro de série est requis pour l'enregistrement de la garantie du produit et pour le service à la clientèle.



2. Rendez-vous sur le site www.tsicustomerservice.com pour compléter l'enregistrement de la garantie. Pour l'enregistrement utiliser le **NUMERO DE MODELE : 9QI073ARA**. Si vous êtes incapable de compléter l'enregistrement, conserver votre preuve d'achat pour les besoins de la garantie.

CARACTÉRISTIQUES DU PRODUIT

TENSION	120VAC, 60 Hz
AMPÈRES	12,5 A
WATTS	1500 W

INSTRUCTIONS IMPORTANTES

Lors de l'utilisation d'appareils électriques, pour éviter les risques d'incendie, d'électrocution et de blessures, toujours suivre les consignes de sécurité de base suivantes :

1. Lisez toutes les directives avant d'utiliser cet appareil.
2. Cet appareil est chaud lorsqu'il est en marche. Afin d'éviter les brûlures, ne touchez pas aux surfaces chaudes. Si l'appareil est muni de poignées, utilisez-les pour le déplacer. Assurez-vous que les matières combustibles, comme les meubles, les oreillers, la literie, le papier, les vêtements et les rideaux, se trouvent à au moins 0,9 m (3 pi) de l'avant de l'appareil.
AVERTISSEMENT : Ne couvrez pas l'appareil pour éviter qu'il surchauffe.
3. AVERTISSEMENT : Ne jamais laisser un chauffage fonctionnant sans surveillance. Une grande prudence est nécessaire si des enfants sans supervision ou des invalides sont à proximité.
4. Cet appareil ne doit pas être utilisé par les enfants, les personnes atteintes d'une déficience physique, sensorielle ou intellectuelle, ou les personnes n'ayant pas l'expérience et les connaissances nécessaires, à moins qu'une personne ne les supervise ou leur donne les instructions nécessaires.
5. Débranchez toujours cet appareil lorsqu'il n'est pas utilisé.
6. N'utilisez pas un appareil muni d'un cordon ou d'une fiche endommagé, qui a subi une défaillance, qui est tombé ou qui a été endommagé de quelque façon que ce soit.
7. Si le cordon d'alimentation est endommagé, il doit être remplacé par le fabricant, par un de ses agents ou par une personne qualifiée afin d'éviter tout danger.
8. N'utilisez pas cet appareil à l'extérieur.
9. Cet appareil n'est pas conçu pour être utilisé dans une salle de bains, une salle de lavage ou tout autre endroit humide semblable. Ne placez jamais cet appareil à un endroit où il risquerait de tomber dans une baignoire ou un autre contenant rempli d'eau.
10. Évitez de placer le cordon sous un tapis. Ne couvrez pas le cordon avec une carpe, un tapis de passage ou un autre article semblable. Placez le cordon dans un endroit peu passant et où il ne pourra pas être accroché.
11. Pour débrancher cet appareil, tournez les commandes en position d'arrêt, puis retirez la fiche de la prise.
12. Brancher uniquement dans une prise de courant munie d'une mise à la terre. Cet appareil de chauffage a été conçu pour être utilisé sous une tension de 120 V. La fiche du cordon est montrée à la figure 1 en A. Ne pas utiliser d'adaptateur de 3 broches à 2 broches. Ne jamais utiliser avec une rallonge ou une barre d'alimentation (multiprises).

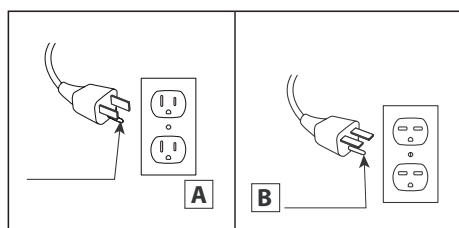
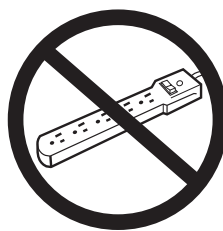


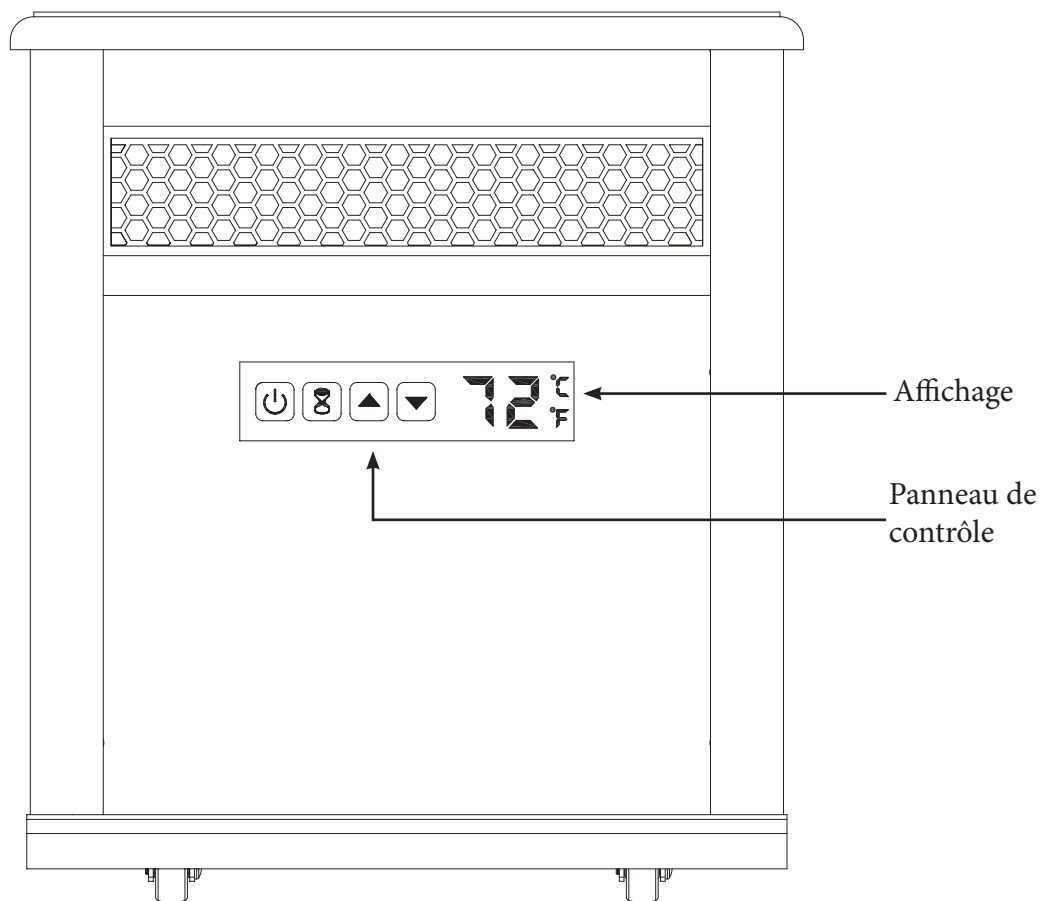
Fig.1



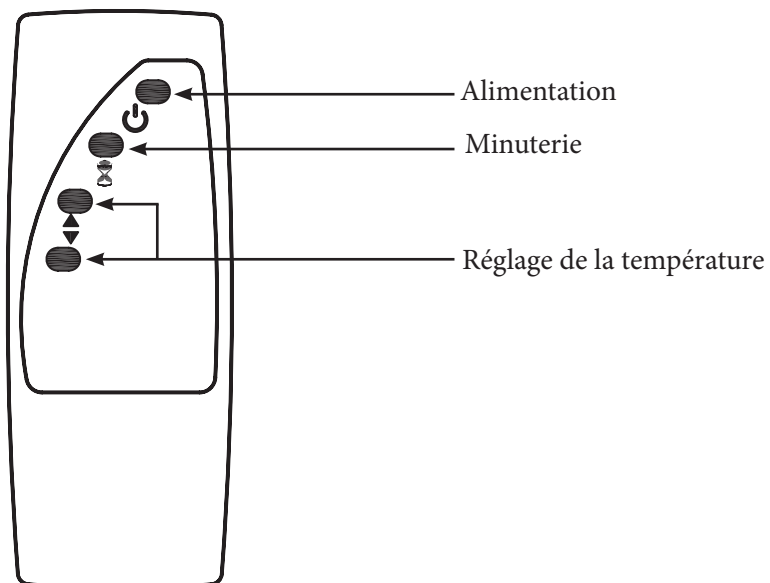
13. Lors de l'installation, veillez à ce que l'appareil soit mis à la terre conformément aux codes locaux, le cas échéant, à la plus récente version du Code canadien de l'électricité, CSA C22.1, ou, dans le cas des installations aux É.-U., aux codes locaux et au code national de l'électricité, ANSI/NFPA no 70.
14. N'insérez jamais un objet, quel qu'il soit, dans les ouvertures de ventilation ou de sortie d'air de l'appareil afin de prévenir les dommages ainsi que les risques de choc électrique et d'incendie.
15. Afin de prévenir les risques d'incendie, ne bloquez jamais les ouvertures d'aération ou de sortie d'air de quelque façon que ce soit. Ne placez pas l'appareil sur une surface molle, comme un lit, car les ouvertures pourraient se bloquer.
16. Cet appareil renferme des pièces chaudes qui produisent des arcs électriques ou des étincelles. N'utilisez pas l'appareil là où de l'essence, de la peinture ou des liquides inflammables sont utilisés ou entreposés. Ce foyer ne doit pas être utilisé pour faire sécher les vêtements. Ne suspendez pas de bas de Noël ou d'autres décorations sur ou à proximité de ce produit.
17. N'utilisez cet appareil que pour l'usage prévu dans ce manuel. Toute autre utilisation de l'appareil qui n'est pas prévue par le fabricant peut provoquer un incendie, un choc électrique ou des blessures.
18. PRECAUTION : Ne pas s'asseoir ou se tenir debout sur le chauffage ; Le chauffage peut devenir instable.

CONSERVER CES INSTRUCTIONS



INSTRUCTIONS D'OPÉRATION



Le chauffage peut être activé soit par la télécommande ou par le panneau de commande.



INSTRUCTIONS D'OPÉRATION

FONCTION	ICÔNE	DESCRIPTION
ALIMENTATION		<p>La touche ALIMENTATION alimente toutes les fonctions du chauffage. Le fait d'appuyer à nouveau sur la touche ALIMENTATION, place le chauffage en mode veille.</p> <p>Appuyer sur la touche ALIMENTATION en la maintenant enfoncée sur le panneau de contrôle pendant 3 secondes permet de basculer entre °F and °C.</p>
MINUTERIE		<p>Appuyer sur la touche MINUTERIE et cela mettra en marche ou éteindra les fonctions de la minuterie.</p> <p>Neuf réglages de la minuterie et la touche ARRÊT peuvent être sélectionnés. ARRÊT (00), 30min, 1Hour, 2H,3H, 4H, 5H, 6H, 7H, 8H.</p> <p>Réglage des minutes à deux chiffres, par exemple : 30 minutes sont : 30</p> <p>Un A numérique plus un « H » montrent le réglage des heures, par exemple : 2 heures sont : 2H</p> <p>Si la fonction de minuterie a été précédemment définie, la première pression de la touche de minuterie ne change pas le réglage précédent. La pression de la touche minuterie active l'affichage de la minuterie.</p> <p>Lorsque la minuterie est active, l'affichage effectue un compte à rebours à partir de 60 secondes avant de couper le chauffage.</p>
▲ ▼ - RÉGLAGE DE LA TEMPÉRATURE		<p>Le fait d'appuyer sur les touches ▲ ▼ place l'affichage en mode de réglage de la température.</p> <p>Lorsque vous êtes en mode de réglage de la température, appuyer sur les touches ▼ ▲ va changer le thermostat de 1 °F (1 °C).</p> <p>La plage de réglage de la température se situe entre 50 °F -97 °F (10 °C - 36 °C). La température par défaut est de 72 °F (22 °C).</p> <p>Après 10 secondes sans entrée de commande, l'affichage sort du mode de réglage de température et indique la température ambiante actuelle.</p>
CYCLE DE REFROIDISSEMENT		<p>Après que le chauffage aura fonctionné, le ventilateur continuera de fonctionner pour une certaine période de temps afin de refroidir les pièces internes.</p>

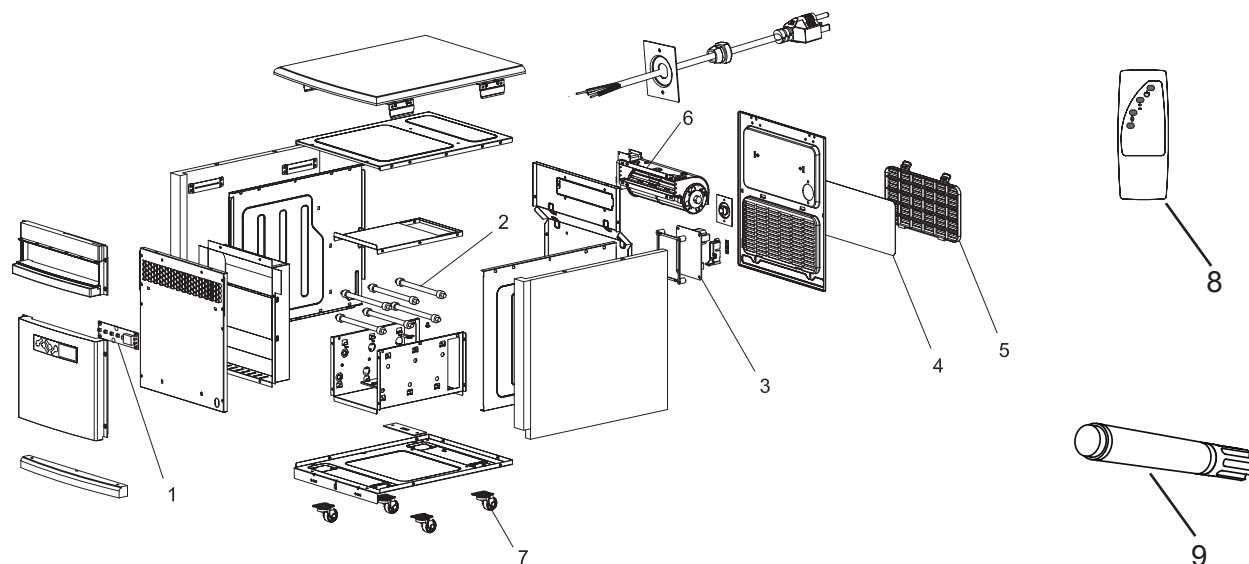
DÉPANNAGE

Problème	Cause probable	Action corrective
L'affichage indique "E 1".	Le capteur du thermostat est brisé ou déconnecté.	Débrancher le chauffage, retirer le panneau arrière du chauffage et vérifier que le thermostat est branché sur la plaquette de circuit principale. Si cela ne résout pas le problème, contacter le service à la clientèle pour demander un capteur de thermostat de rechange.
L'affichage indique "E 2".	Le capteur du thermostat est brisé.	Contactez le service à la clientèle pour un capteur de thermostat de rechange.
L'affichage indique "E 7".	Le cordon protection contre la surchauffe a été activé.	Vérifier votre cordon du chauffage et les prises enfichables. Un branchement défectueux ou des prises mal fixées peuvent causer une surchauffe de la prise de courant murale ou du connecteur. S'assurer que le connecteur tient bien fermement dans la prise de courant murale. Les chauffages consomment plus de courant que les petits appareils électriques, la surchauffe de la prise de courant murale peut survenir même si elle ne s'est pas produite avec l'utilisation d'autres appareils. Pendant l'utilisation vérifier fréquemment afin de déterminer si votre prise de courant murale ou votre façade est CHAUDE ! Si c'est le cas, cesser d'utiliser l'utilisation du chauffage et faites vérifier et/ou remplacer par un électricien qualifié la ou les prises de courant défectueuses.
Le chauffage ne souffle pas d'air chaud.	Cycle de refroidissement.	Fonctionnement normal, continuera de fonctionner pendant quelques minutes avant de s'arrêter. Les temps varieront basé sur les températures. Pendant ce temps de l'air froid sera soufflé.
	Filtres encrassés.	Nettoyer le filtre avec douceur à l'aide d'un aspirateur.
	N'atteint pas la température désirée.	Effectuer une remise à zéro générale ; éteindre et débrancher l'appareil. Maintenir enfoncé la touche d'alimentation sur l'appareil lui-même. Continuer de maintenir la touche enfoncée pendant que vous rebranchez l'appareil. Une fois que l'appareil est rebranché, continuer de maintenir la touche enfoncée pendant 5 secondes et ensuite relâcher. Remettre l'appareil en marche et la température devrait flasher 72 degrés et ensuite afficher la température ambiante de la pièce.
	N'atteint pas la température désirée.	L'appareil est conçu pour être utilisé comme un chauffage d'appoint, conjointement avec un système principal de chauffage.
L'affichage de la température ne correspond pas à la température de la pièce lue par d'autres thermostats.	Calibrage.	Maintenir enfoncé la touche minuterie, 00 clignote et un seul chiffre entre -9 degrés et 9 degrés apparaîtra. A ce moment, relâcher la touche minuterie et utiliser les touches fléchées haut/bas pour ajuster la différence de température s'élevant à 9 degrés +/- . Après 10 secondes sans saisie de commande, le chauffage terminera le calibrage du thermostat.
Le chauffage prend beaucoup de temps pour atteindre la température désirée de la pièce.	Filtres encrassés.	Nettoyer le filtre avec douceur à l'aide d'un aspirateur.
	Mauvaise utilisation de l'appareil.	L'appareil est conçu pour être utilisé comme un chauffage d'appoint, conjointement avec un système principal de chauffage.
	Positionnement.	Votre appareil doit toujours être positionné devant un mur intérieur ayant une isolation adéquate. Le chauffage fourni un chauffage d'appoint allant jusqu'à 92.9 mètres carré conjointement avec un système principal de chauffage.
	Positionnement.	Le dos et les côtés du chauffage doivent être éloignés de plus de 15 centimètres des murs pour une entrée d'air adéquate.
	Utilisation d'un protecteur de surtension / d'une rallonge.	Brancher l'appareil directement dans une prise de courant murale.
La température ne changera pas.	Circuit imprimé du panneau de commande défectueux.	Remplacer le circuit imprimé du panneau de commande.
Le chauffage ne s'allume pas mais d'autres fonctions fonctionnent correctement.	Réinitialisation manuelle nécessaire .	Mettre l'alimentation sur "ARRET" et débrancher l'appareil de la prise de courant murale pendant 5 minutes. Après 5 minutes rebrancher l'appareil dans la prise de courant murale et le faire fonctionner normalement. Si le problème persiste, contacter le service clientèle.
L'appareil continue de fonctionner après avoir atteint la température désirée / ou l'extinction.	Cycle de refroidissement.	Fonctionnement normal, il continuera de fonctionner pendant quelques minutes avant de s'arrêter. Les temps varieront basé sur le réchauffement. L'APPAREIL SOUFFLERA DE L'AIR FROID.
Le chauffage s'allume aléatoirement .	Balayage de la température ambiante de la pièce.	Fonctionnement normal, l'appareil s'allumera périodiquement pour tester la température de l'air. Fonctionnera 3 minutes avec de l'air froid et 3 minutes avec de l'air chaud.
Les touches ne fonctionnent pas.	Circuit imprimé du panneau de commande défectueux.	Remplacer le circuit imprimé du panneau de commande.

Le panneau de commande ne s'allume pas	Circuit imprimé du panneau de commande défectueux.	Remplacer le circuit imprimé du panneau de commande.
Combien d'éléments chauffants au quartz sont présent dans l'appareil ?	Renseignements sur le produit 9QI.	6 éléments chauffants infrarouges à quartz.
La télécommande ne fonctionne pas.	Piles épuisées ou puissance de la batterie.	Remplacer les piles de la télécommande.
	Signal faible.	Veillez opérer la télécommande lentement. Pressez sur les boutons de la télécommande avec un mouvement égal et une légère pression. De presser de manière répétitive sur les boutons dans une succession rapide peut causer une défaillance de la télécommande.
	Distance	Faites fonctionner la télécommande a une distance de moins de 6 mètres du devant de l'appareil ; Pointer la télécommande sur le panneau de commandes.

VUE EXPLOSIVE

Pièce	Nom de la pièce
1	Carte de circuits imprimés du panneau de commande
2	Éléments infrarouges
3	Carte de circuits principale
4	Filtre
5	Couvercle du filtre
6	Soufflante
7	Roulette
8	Télécommande
9	Crayon pour retouches



ENTRETIEN GÉNÉRAL

- Nettoyer le contour métallique à l'aide d'un linge doux légèrement humecté d'huile de citron, puis polir avec un linge doux et propre.
- NE PAS UTILISER de produits à polir le laiton ou de produits de nettoyage domestique car ils pourraient endommager le contour de métal. Les produits à base d'huile de citron sont disponibles dans les supermarchés ou les quincailleries.
- Il est recommandé de nettoyer le filtre et de le passer à l'aspirateur régulièrement.
- AVERTISSEMENT: Le raccordement des prises électriques doit être conforme aux codes du bâtiment locaux et à tout autre règlement en vigueur afin de réduire les risques d'incendie, de choc électrique et de blessures corporelles.
- VERTISSEMENT: Débrancher l'alimentation électrique avant l'entretien ou le nettoyage afin de réduire les risques d'incendie, de choc électrique ou de blessures corporelles.

INFORMATION CONCERNANT FCC/IC

REMARQUE : Cet appareil a été testé et déclaré conforme aux limites imposées aux appareils numériques de classe B, en vertu de l'alinéa 15 du règlement de la FCC. Ces limites sont destinées à assurer une protection raisonnable contre les interférences nuisibles dans un environnement résidentiel. Cet appareil génère, utilise et peut émettre de l'énergie radiofréquence et, s'il n'est pas installé et utilisé conformément aux instructions, risque de provoquer des interférences nuisibles lors de la réception d'émissions de radio ou de télévision (il suffit, pour le vérifier, d'allumer et d'éteindre successivement l'appareil); s'il constate de telles interférences, l'utilisateur devra prendre les mesures nécessaires pour les éliminer. À cette fin, il devra :

- réorienter ou déplacer l'antenne réceptrice;
- accroître la distance entre l'appareil et le récepteur;
- brancher l'appareil sur une prise de courant appartenant à un autre circuit que celui du récepteur;
- obtenir de l'aide auprès du détaillant ou d'un technicien en radio ou en télévision expérimenté.

Cet appareil est conforme à l'alinéa 15 du règlement de la FCC. Son utilisation est soumise aux deux conditions suivantes :

- (1) cet appareil ne doit provoquer aucune interférence nuisible; et
- (2) cet appareil doit accepter toute interférence reçue, y compris les interférences pouvant entraîner un fonctionnement indésirable.

Les modifications non autorisées expressément par la partie responsable de la conformité peuvent annuler le droit de l'utilisateur de se servir de cet appareil.

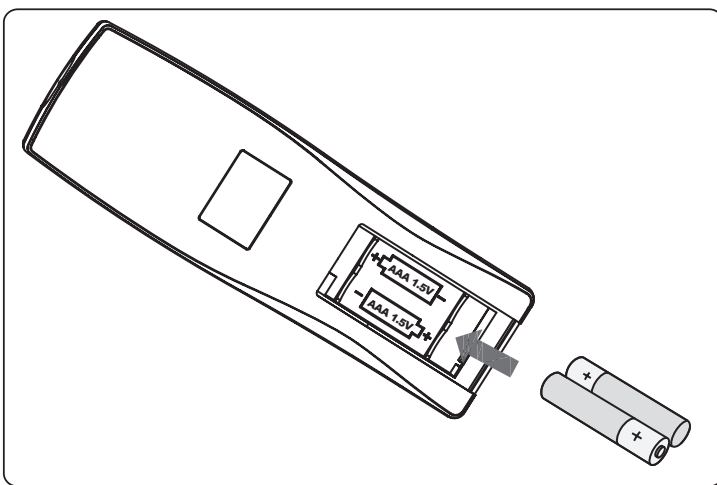
Cet appareil numérique de classe B est conforme à la norme NMB-003 du Canada.

REEMPLACEMENT DES PILES

Note: Ne pas mélanger les piles usagées et neuves.

Ne pas mélanger les piles alcalines, standard (carbone/zinc) ou rechargeables (ni-cad, NiMh, etc.)

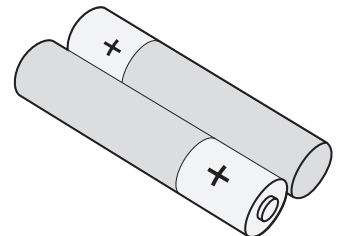
Mise en garde au cas d'ingestion.



Remarque:

Disposition des piles

Veillez toujours disposer des piles dans un site de recyclage adéquat.



1. Les piles non rechargeables ne doivent pas être rechargées.
2. Les piles doivent être insérées en respectant la polarité.
3. Les piles déchargées doivent être retirées du produit.

GARANTIE LIMITÉE DE 3 AN

Le fabricant garantit que votre nouveau chauffage électrique est exempt de défaut de fabrication ou de matériaux durant 3 année à partir de la date d'achat, en tenant compte des conditions et des restrictions suivantes.

1. Respectez en tout temps les directives d'installation et le mode d'emploi fournis avec ce foyer électrique lorsque vous installez et que vous utilisez ce produit. Toute modification non autorisée, abus volontaire, accident ou mauvaise utilisation du produit invalide la présente garantie.
2. Cette garantie n'est pas transférable et n'est offerte qu'à l'acheteur d'origine, tant que l'achat a été conclu chez un fournisseur autorisé du produit.
3. La garantie se limite à la réparation ou au remplacement des pièces qui présentent des défauts de matériaux ou de fabrication, tant que ces pièces ont fait l'objet d'une utilisation et d'un entretien normaux, une fois un tel défaut confirmé par l'inspection effectuée par le fabricant.
4. Le fabricant peut, à sa discrétion, s'acquitter de toute obligation en vertu de la présente garantie en remboursant le prix de gros des pièces défectueuses.
5. Tout frais d'installation, de main-d'œuvre, de fabrication, de transport, ou d'autres frais connexes découlant des pièces défectueuses, de la réparation, du remplacement ou d'une intervention du même type, ne sont pas couverts par la présente garantie et le fabricant n'assume aucune responsabilité à cet égard.
6. Le propriétaire ou l'utilisateur assume tous les risques, le cas échéant, incluant le risque de pertes ou dommages directs, indirects ou consécutifs découlant de l'utilisation de l'appareil, ou de l'incapacité à utiliser l'appareil, sauf conformément aux dispositions de la loi.
7. Toutes les autres garanties, explicites ou implicites, sur le produit, ses composants et ses accessoires ainsi que toute autre obligation ou responsabilité du fabricant sont expressément exclues par les présentes.
8. Le fabricant n'assume ni n'autorise un tiers à assumer, en son nom, toute autre responsabilité quant à la vente de ce produit.
9. Les garanties énoncées dans le présent document ne couvrent pas les accessoires utilisés au cours de l'installation de ce produit.
10. Cette garantie vous confère des droits particuliers et vous pourriez aussi avoir d'autres droits qui varient d'une province ou d'un État à l'autre.

Cette garantie sera annulée si :

- a. Le chauffage est exposé à l'humidité ou à la condensation pendant des périodes prolongées.
- b. Le produit a fait l'objet d'une modification non autorisée, d'un abus volontaire ou d'une mauvaise utilisation, ou a subi un accident.
- c. Vous n'avez pas le reçu de vente original.

SERVICE À LA CLIENTÈLE

www.tsicustomerservice.com

Pour le Service Clientèle Appeler le 1-800-318-9373

Des questions ? Nos experts attendent votre appel sans frais, nous pouvons vous aider avec l'assemblage et au besoin, remplacer des pièces manquantes ou endommagées. L'assistance est disponible 7 jours par semaine /24 heures par jour /365 jours par année.

IMPORTANT :

Avant de contacter le service à la clientèle, assurez-vous d'avoir en main l'information suivante :

- Numéro de série
- Numéro de modèle
- Votre facture d'achat ou une preuve d'achat

duraflame[®]

www.tsicustomerservice.com