



**BESTOP**  
Inc.®

# One Piece Hard Top Installation Instructions

For: Wrangler YJ without Doors  
Wrangler YJ with Doors  
Wrangler TJ without Doors  
Wrangler TJ with Doors  
YJ Upper Doors  
TJ Upper Doors

Part Number: 41497  
Part Number: 41498  
Part Number: 41507  
Part Number: 41508  
Part Number: 41485  
Part Number: 41487

**DO NOT INSTALL THIS PRODUCT ON ANY VEHICLE  
OTHER THAN THOSE LISTED ABOVE.**

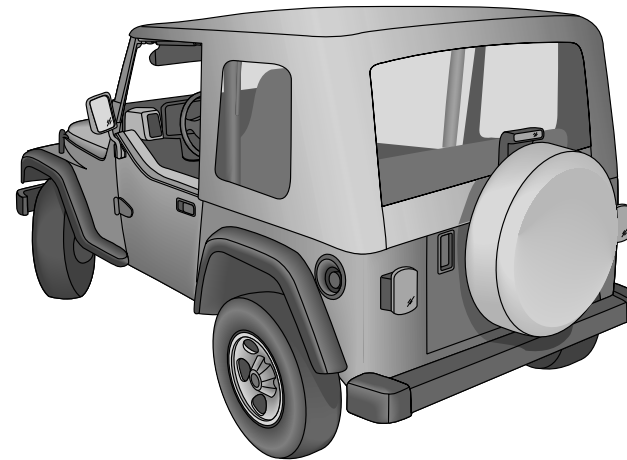


## WARNING

This product is designed to enhance the appearance of the vehicle. Do not rely in any way on the components of this product to contain occupants or cargo within the vehicle, or to protect against injury or death in the event of an accident. Never operate vehicle in excess of manufacturer's specifications.

### WEAR SEAT BELTS AT ALL TIMES

Read and follow, precisely, all installation instructions provided when installing this product. Failure to do so could place occupants or cargo of the vehicle in a potentially dangerous situation. After installing or reinstalling, check to make sure it has been properly installed.

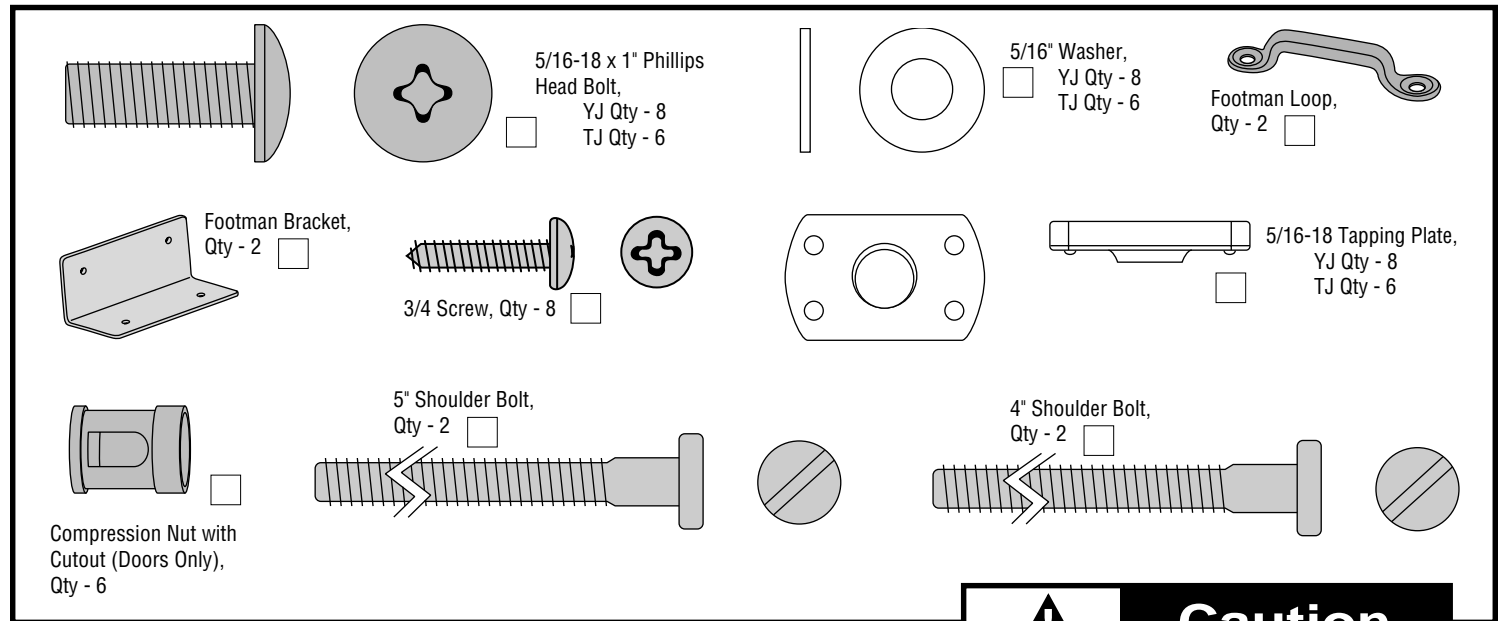


## Installation Tips

Before you begin installing this product, read all instructions thoroughly. After completing the installation, keep these instructions for further reference.

## Parts List and Hardware Identification

One Piece Top	Qty - 1
Doors, Left and Right (If Applicable)	Qty - 1 ea.
Weatherproof Seal	
<b>YJ:</b> 57" Windshield	Qty - 1
24" A-Post	Qty - 2
8" Rear Window	Qty - 2
<b>TJ:</b> 8" Rear Window	Qty - 2
Heat Switch	Qty - 1
Switch Mounting Bracket	Qty - 1
Switch Wiring Harness	Qty - 1



### Tools Needed

Phillips Screwdriver	Scribe
Flat Screwdriver	50/50 Solution
Power Drill with 1/16" Drill Bit	Water/Alcohol
Scissors	Safety Glasses



## Caution

Safety glasses should be worn at all times while installing this product.

## Prior to Installation

### Step One

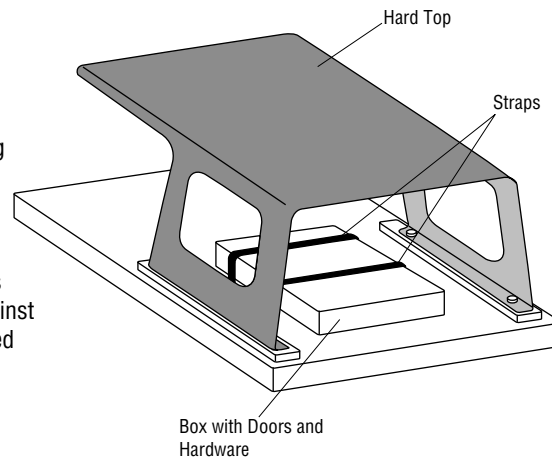
#### UNPACKING THE HARD TOP

Save all packing materials.

If you have doors, remove the box containing them.

Unscrew the Hard Top from the pallet and remove it.

Remove all hardware and weatherproof seals from the box with doors and check them against the Parts List to ensure that you have received all the necessary parts.



### Step Two

#### 2003 AND NEWER VEHICLES ONLY REMOVE BELTLINE MUCKET SEAL

2003 and Newer Vehicles have a rubber Mucket Seal on top of the belt rail behind the door openings. Remove this seal on both sides of the vehicle.



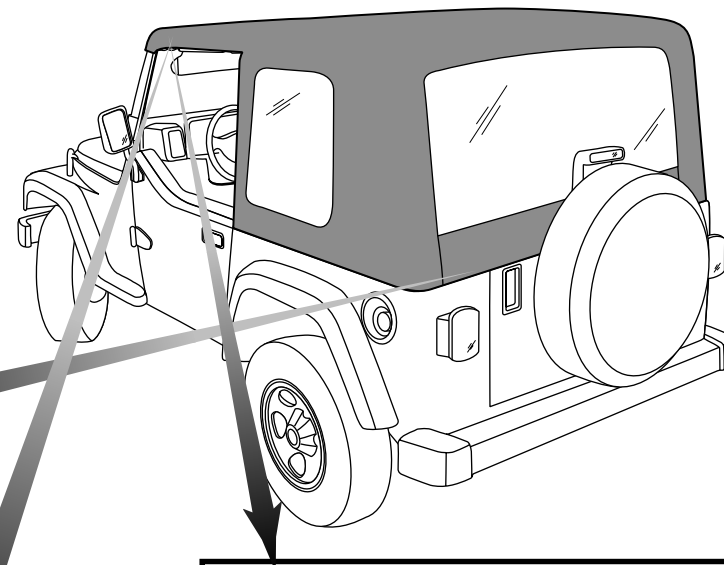
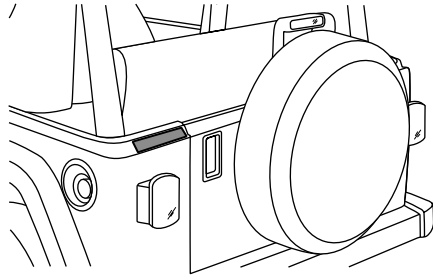
## Installation

### Step One

#### INSTALL WEATHERPROOF SEAL

If necessary, remove the soft top and brackets from the vehicle and store them.

The two 8" pieces of Weatherstrip Seal will go on either side of the tailgate opening. Clean the area with a 50/50 solution of water and alcohol and a soft cloth. Peel the backing off the seal a little at a time and press the seal firmly onto the edge of the vehicle.

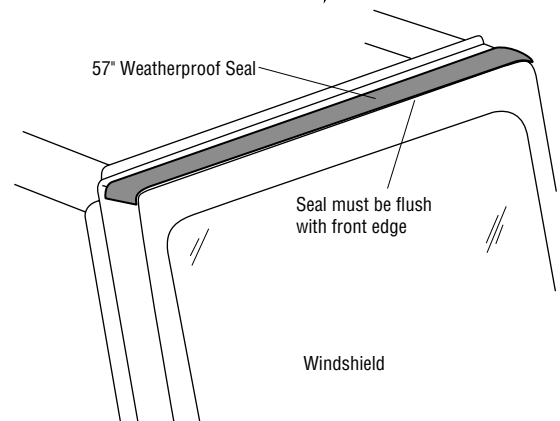


### Step Two

#### YJ ONLY – TJ INSTALLATION SKIP TO STEP FOUR INSTALL WEATHERPROOF SEAL ON WINDSHIELD

The 57" Weatherproof Seal will be installed along the top of the windshield. Clean the area with a 50/50 solution of water and alcohol and a soft cloth. Center the strip over the windshield so that it hangs over equally on both sides and make sure that the edge of the seal is flush with the windshield.

Peel the backing off the seal a little at a time and press the seal firmly onto the ledge above the windshield.

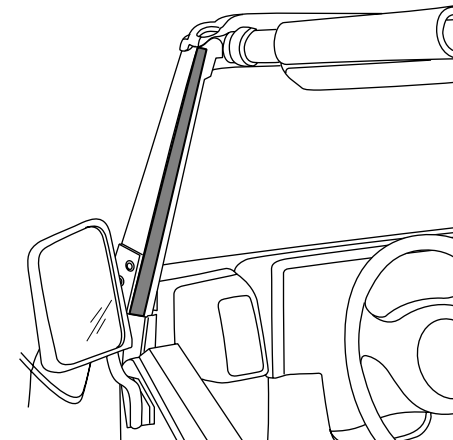


### Step Three

#### YJ ONLY – TJ INSTALLATION SKIP TO STEP FIVE INSTALL WEATHERPROOF SEAL ON WINDSHIELD A-PILLAR

The 24" Weatherproof Seals will be installed along each side of the windshield. Clean the area with a 50/50 solution of water and alcohol and a soft cloth.

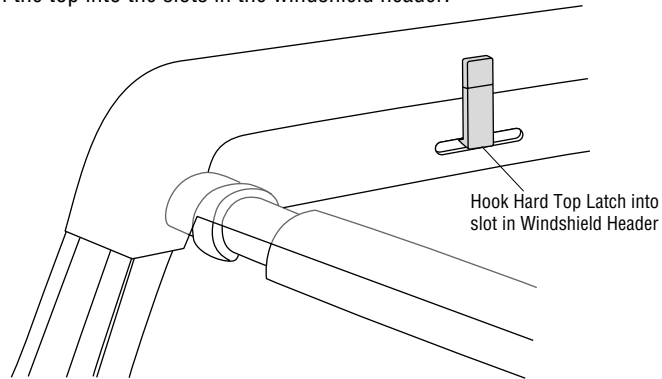
Peel the backing off the seal a little at a time and press the seal firmly onto the A-Pillar.



## Step Four

**2003 AND NEWER VEHICLES ONLY – OLDER VEHICLES SKIP TO STEP SIX**

Set the One Piece Top on the vehicle and make sure that it is centered. Hook the latches on the top into the slots in the windshield header.



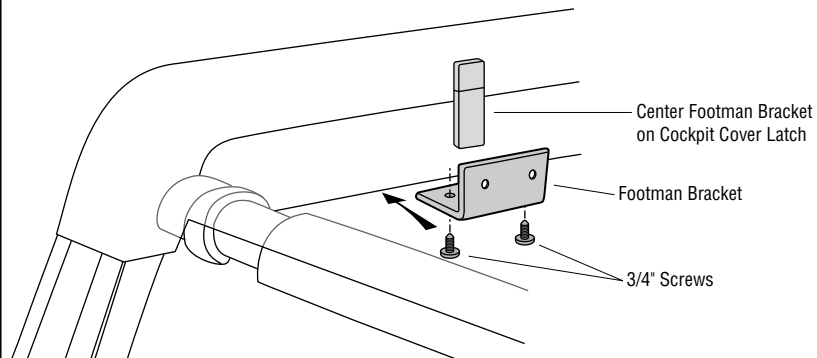
## Step Five

**2002 AND OLDER VEHICLES ONLY  
INSTALL FOOTMAN BRACKETS**

Set the One Piece Top on the vehicle. If installing it on a YJ, make sure that the top is firmly set on the weather proof seal.

Locate the Footman Brackets in the parts kit. Place them against the windshield frame so that each bracket is centered with the latches on the top.

Scribe the holes in the Footman Brackets to mark the locations. Use the 1/16" drill bit to drill a pilot hole in each location. Install two 3/4" Screws in the two bottom holes in each bracket to secure them to the windshield frame.

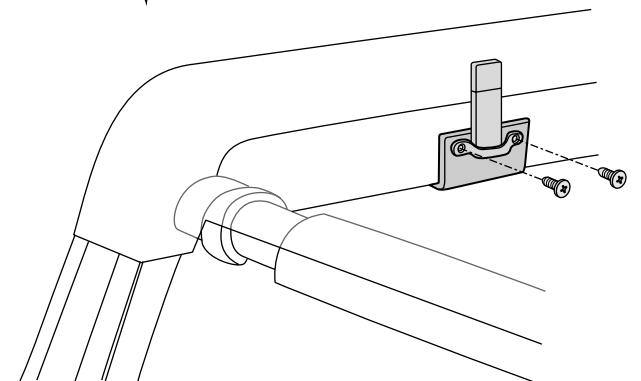


## Step Six

**2002 AND OLDER VEHICLES ONLY  
INSTALL FOOTMAN LOOPS**

Place a Footman Loop over the two upper holes in each Footman Bracket. Secure a Footman Loop to each bracket with two 3/4" Screws.

Lock the latches to secure the Hard Top to the windshield.

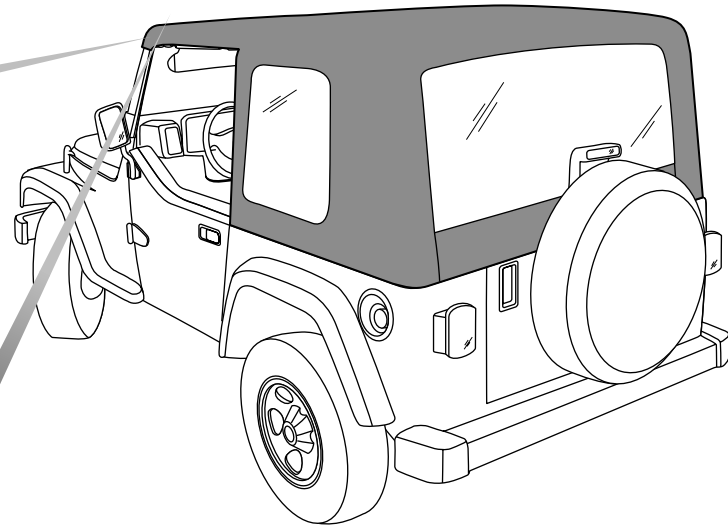
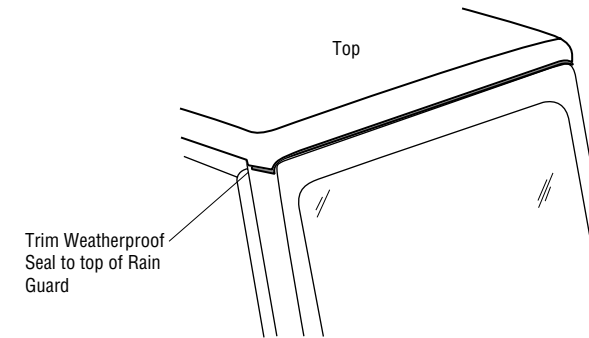


## Step Seven

**YJ ONLY – TJ INSTALLATION SKIP TO DOOR INSTALLATION**

### TRIM WEATHERPROOF SEAL

Trim the Weatherproof Seal on both sides of the windshield to the top of the rain guard.



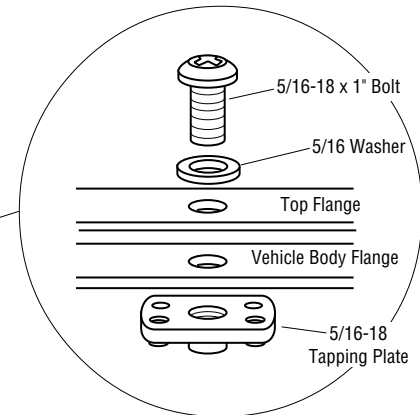
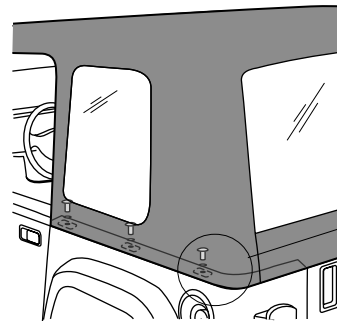
## Step Eight

### INSTALL REAR SHELL

Aligning the holes in rear of the the One Piece Hard Top with the holes in the vehicle.

**TJ Model:** Install six 5/16"-18 x 1" Bolts and 5/16" Washers and 5/16-18 Tapping Plates through the holes in the beltline flange.

**YJ Model:** Install eight 5/16"-18 x 1" Bolts and 5/16" Washers and 5/16-18 Tapping Plates through the holes in the beltline flange.



## Door Installation

### Step Nine

#### INSTALL DOOR INSERT ASSEMBLIES

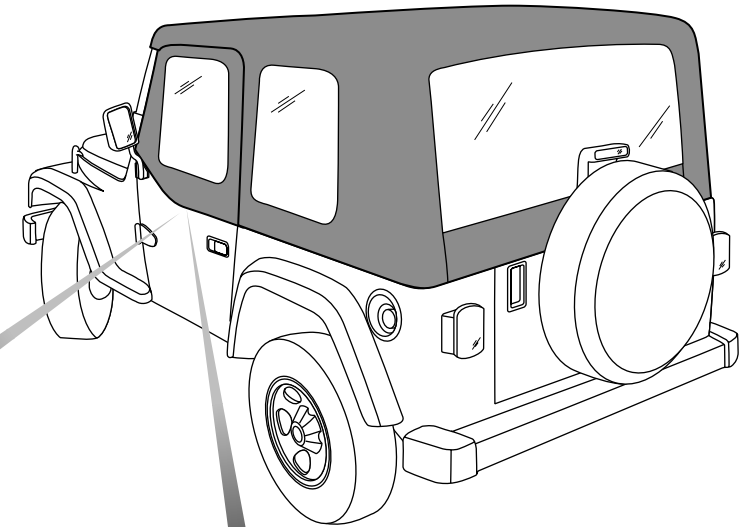
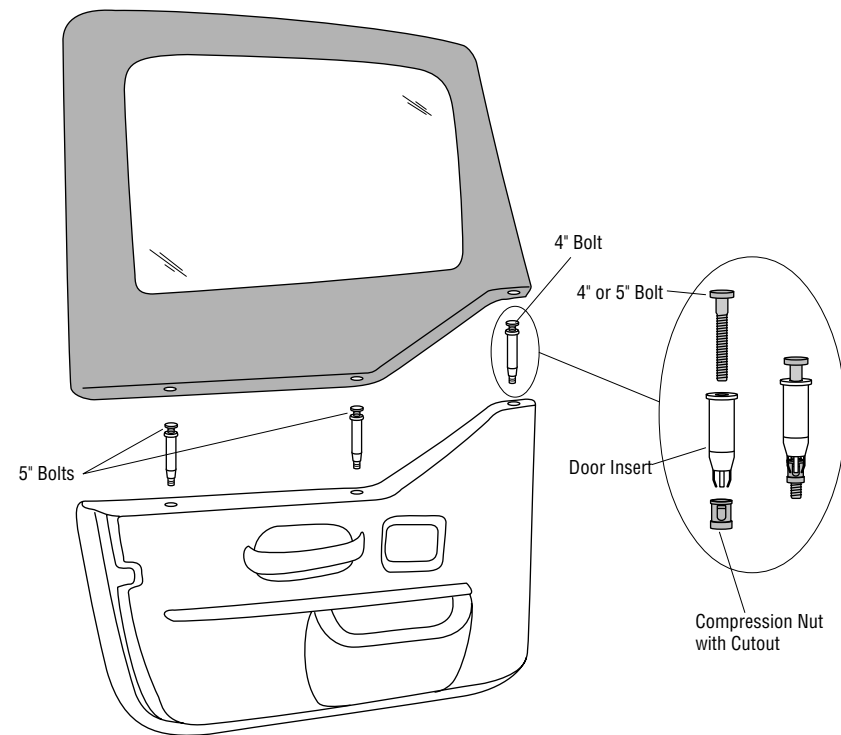
Remove the soft top doors and brackets if they are present.

Locate the three inserts in each lower door. Use a flat screwdriver to pry them out.

Install a 4" or 5" Bolt and a Compression Nut with Cutout in each of the six inserts.

Replace the insert assemblies in the lower doors with a 4" Bolt in the front hole and two 5" Bolts in the two rear holes of each door.

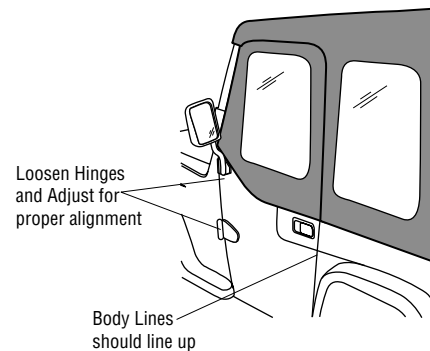
Place the Doors on the lower doors, matching the holes in the Doors with the insert assemblies. Use a screwdriver to tighten them securely.



### Step Ten

#### DOOR ALIGNMENT

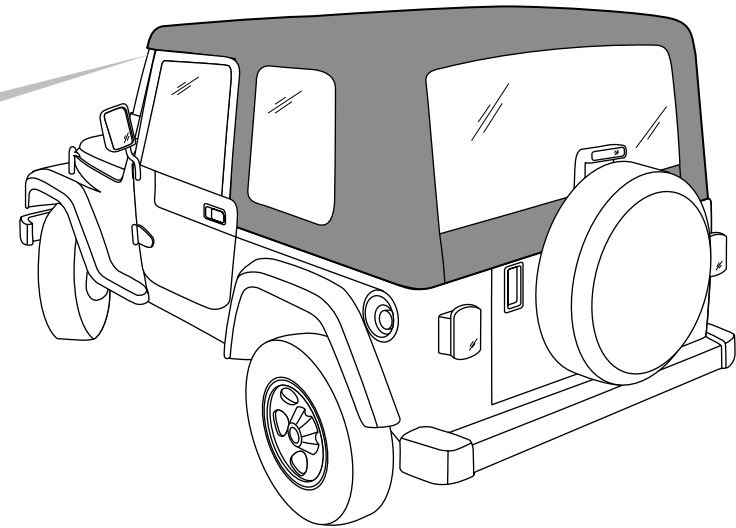
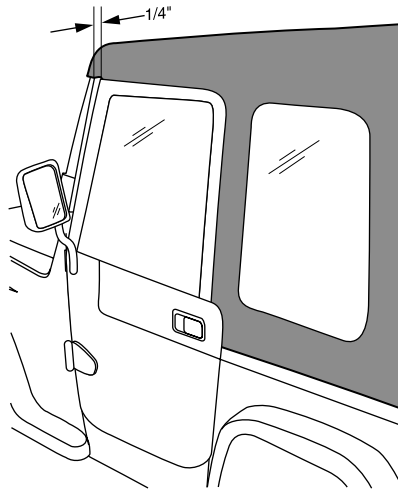
The lines in the door should line up with the body lines on the vehicle. If they do not, tighten or loosen the bolts of the hinges on the lower door and adjust the door position until they do line up.



## Step Eleven

### FULL DOOR ALIGNMENT CHECK

If you have full doors, they must sit at least 1/4" inside the rain gutter on the vehicle in order to ensure a tight seal and to prevent leaking.



## Electronics



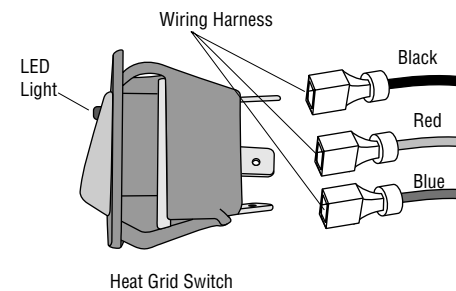
### Caution

Heat grid and light must be shut off independently of vehicle being shut off.

### Dome Light and Heat Grid Electronic Installation

**BESTOP RECOMMENDS THAT THIS BE PROFESSIONALLY INSTALLED.**

The wiring harness is designed for installation through the fire wall and directly to the battery. The heat grid switch can be accommodated in the dashboard if a space is available or using the bracket provided.



## Accessories

**THIS TOP HAS BEEN DESIGNED TO ACCOMMODATE THE BESTOP ROOF RACK SYSTEM INCLUDING:**

41401-01	Cockpit Cover Roof Rack
41400-01	Rear Shell Roof Rack
41444-01	Universal Rack Tray

For more information please visit our web site at [www.Bestop.com](http://www.Bestop.com) or call our Customer Service Department at 1-800-845-3567.

## Care and Maintenance of your Bestop Top

Your top is made of the finest materials available. To keep it looking new and for the maximum possible wear, it will need periodic cleaning and maintenance. Your new Jeep top has been treated with an automotive plastic conditioner (Auto Glym) available in most quality automotive detail shops. Auto Glym contains tough weather resistant resin polymers to counteract aging and bleaching effects of sunlight, water, and traffic residue.

**Washing:** Wash and clean using a soft cloth and a non-abrasive soap and water

**DO NOT** use automotive liquid or paste wax or similar products that use fillers such as Armor All.

We recommend Auto Glym plastic conditioner or a similar plastic conditioner available at most quality automotive detail outlets.

## LIMITED WARRANTY

We warrant our product to be free from defects in material and workmanship, for terms specified below, provided there has been normal use and proper maintenance. This warranty applies to the original purchaser only. All remedies under this warranty are limited to the repair or replacement of any item or items found by the factory to be defective within the time period specified.

If you have a warranty claim, first you must call our factory at the number below for instructions. You must retain proof of purchase and submit a copy with any items returned for warranty work. Upon completion of warranty work, if any, we will return the repaired or replaced item or items to you freight prepaid. Damage to our products caused by accidents, fire, vandalism, negligence, misinstallation, misuse, Acts of God, or by defective parts not manufactured by us, is not covered under this warranty.

THE WARRANTY TIME PERIOD IS AS FOLLOWS: ALL "SOFT GOODS" MANUFACTURED BY OUR COMPANY: ONE YEAR FROM DATE OF PURCHASE.

ANY IMPLIED WARRANTIES OF MERCHANTABILITY AND/OR FITNESS FOR A PARTICULAR PURPOSE CREATED HEREBY ARE LIMITED IN DURATION TO THE SAME DURATION AND SCOPE AS THE EXPRESS WRITTEN WARRANTY. OUR COMPANY SHALL NOT BE LIABLE FOR ANY INCIDENTAL OR CONSEQUENTIAL DAMAGE.

Some states do not allow limitations on how long an implied warranty lasts, or the exclusion or limitation of incidental or consequential damages, so the above limitations or exclusions may not apply to you.

This warranty gives you specific legal rights, and you may also have other rights which vary from state to state.

For further information, please contact:

Bestop Inc.  
Customer Service  
(800)346-3910  
(303)465-1755

